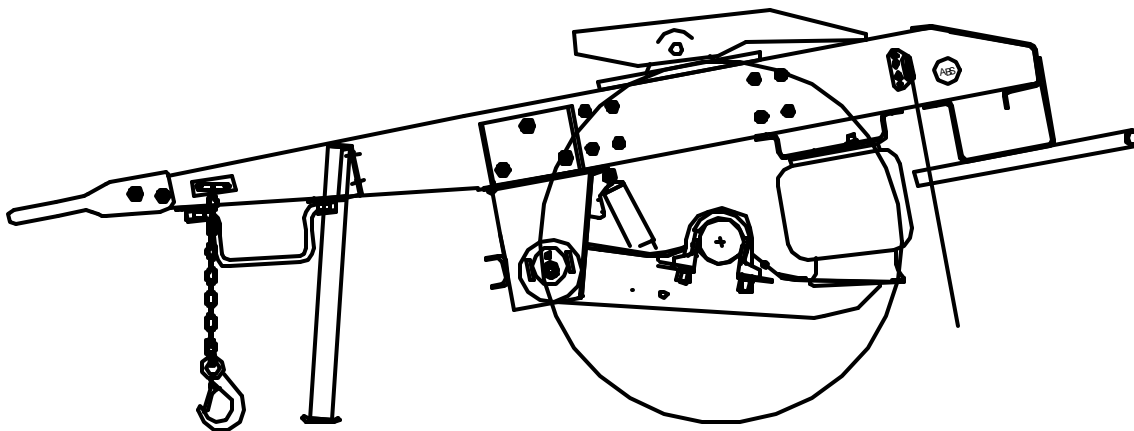


FedEx Ground



2003

**M4500 Series
Air Ride Converter Dollies**

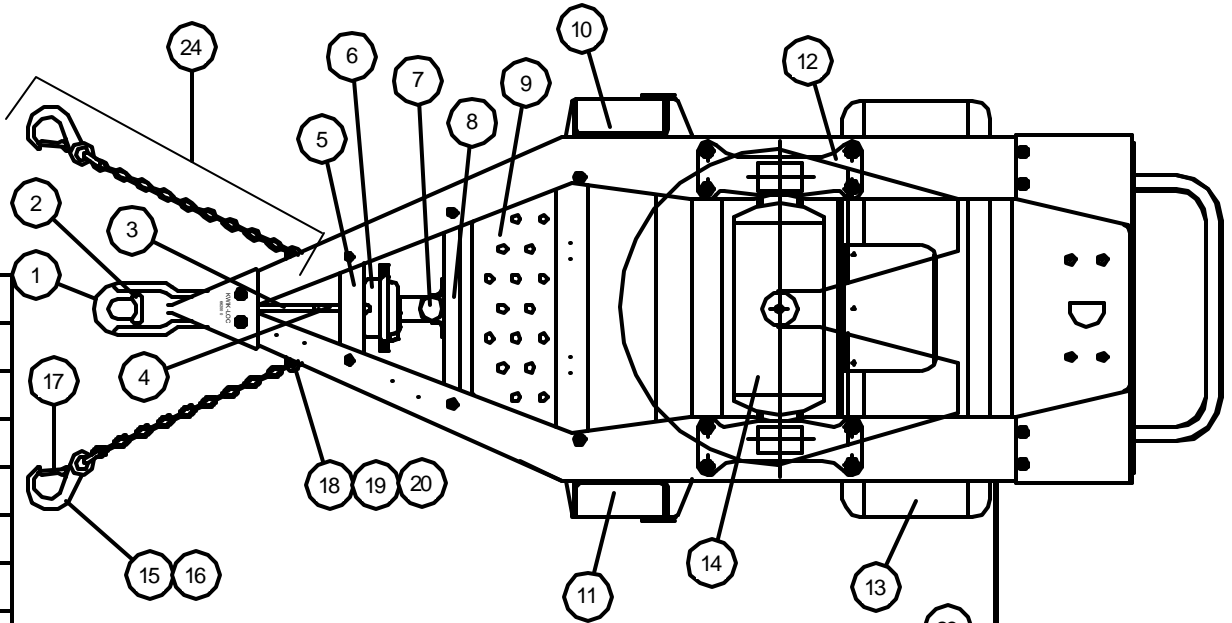
Kwik-Loc Corp.

7340 Dorr St.
Toledo, OH 43615

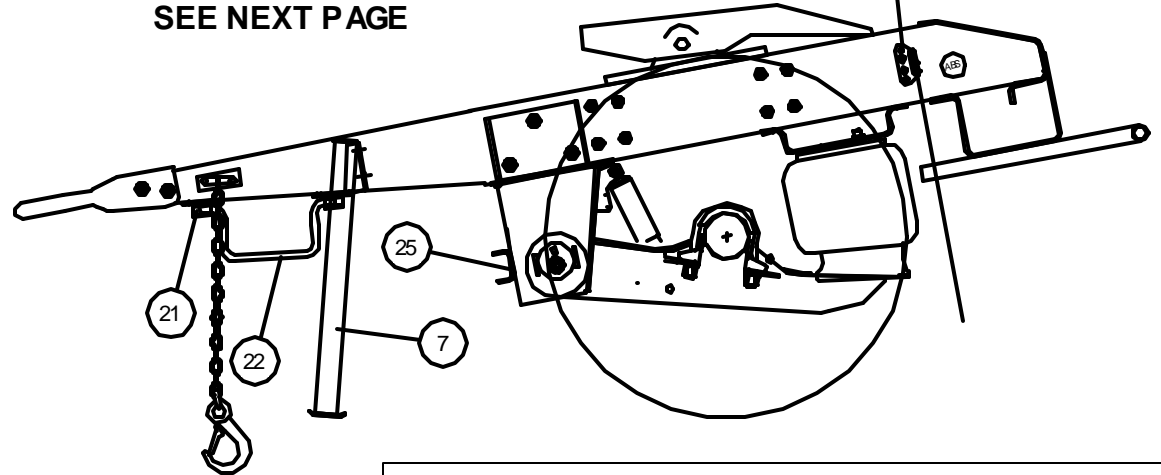
www.kwikloc.com

THE INFORMATION CONTAINED HEREIN IS CONFIDENTIAL INFORMATION AND IS THE SOLE PROPERTY OF KWIK LOC CORPORATION. ANY USE, DUPLICATION OR TRANSMITTAL TO OTHERS WITHOUT THE WRITTEN CONSENT OF KWIK LOC CORPORATION IS STRICTLY PROHIBITED.

ITEM	QTY.	PART NO.	DESCRIPTION
1	1	662000	EYE, WB ANTI-SLACK, 74" DB
2	1	602517	SHOE, ANTI-SLACK
3	1	657547	COUPLING, ANTI-SLACK
4	1	659886	SHAFT, ANTI-SLACK 18.625 L.
5	1	662010	AIR CHAMBER MOUNT
6	1	535417	TYP 24 AIR CHAMBER, ANTI-SLACK
7	1	662040	PIPE STAND ASSEMBLY
8	1	662011	LEG CROSSMEMBER
9	1	662037	BASKET
10	1	662056	SUSPENSION HANGER, RH, HENDR
11	1	662055	SUSPENSION HANGER, LH, HENDR
12	2	659708	5TH WHEEL FOOT
13	1	662025	AIR SPRING CROSSMEMBER
14	1	HT-95216	AIR TANK, TOP MTG, SIP. DRAIN
15	2	615854	CHAIN ASSM, 5/8
16	AR	J-92	HOOK 5/8" CLEVS MTG.
17	AR	J-68	SAFETY LATCH KIT
18	2	537317	U-BOLT, SAFETY CHAIN
19	2	662052	NYLON WEAR PLATE, SAFETY CHAIN
20	2	616217	BACK-UP PLATE, SAFETY CHAIN
21	4	662028	BRACKET, LIFT HANDLE
22	2	662027	LIFT HANDLE, FOLDING
23	1	BS-DF25-940	MUD FLAP BRKT KIT
24	AR	662060	DOLLY CHAIN KIT INCLUDES #15,18,19,20
25	1	662032-B	HANGER TIE BAR



FOR REPLACEMENT FRAMES
SEE NEXT PAGE



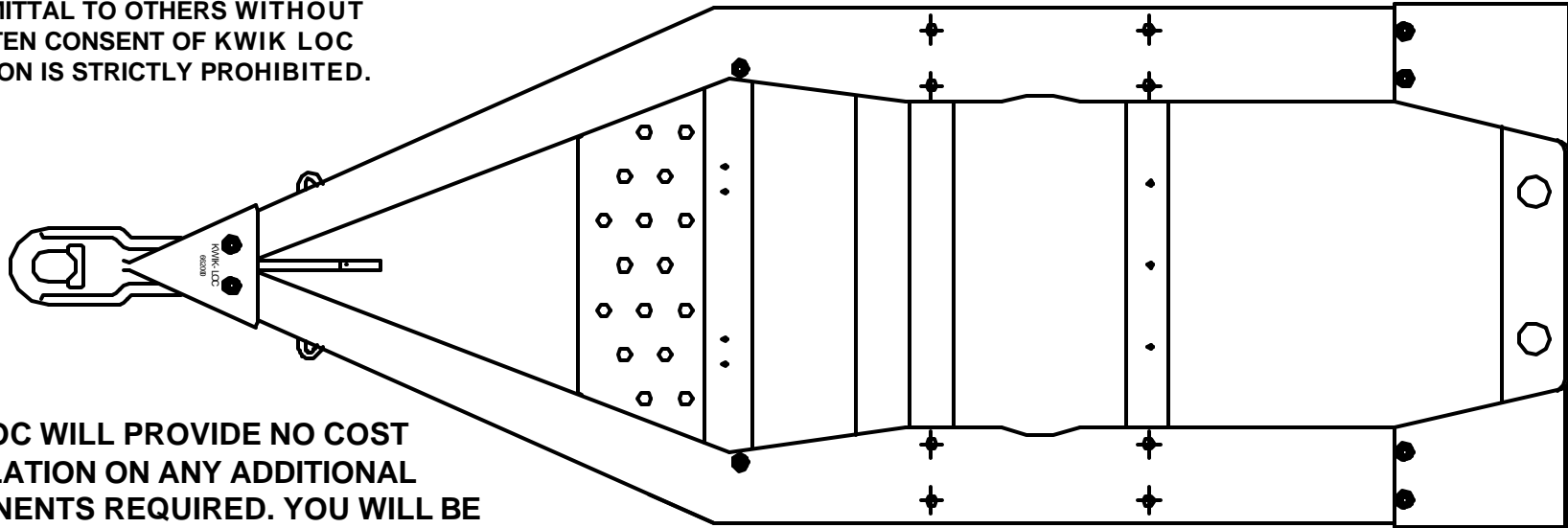
1

OVERVIEW, FEDEX GROUND, 2003 AR

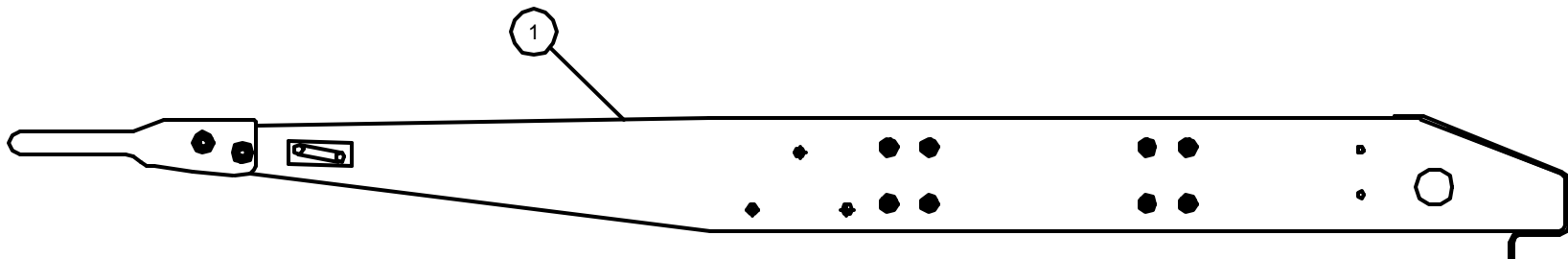
KWIK-LOC CORP.

FILENAME	DWG NO	REV
001-OVERVIEW.VSD		A
SCALE	SHEET	1 OF 1
NONE		

THE INFORMATION CONTAINED HEREIN IS CONFIDENTIAL INFORMATION AND IS THE SOLE PROPERTY OF KWIK LOC CORPORATION. ANY USE, DUPLICATION OR TRANSMITTAL TO OTHERS WITHOUT THE WRITTEN CONSENT OF KWIK LOC CORPORATION IS STRICTLY PROHIBITED.



KWIK-LOC WILL PROVIDE NO COST INSTALLATION ON ANY ADDITIONAL COMPONENTS REQUIRED. YOU WILL BE CHARGED FOR THE ADDITIONAL COMPONENTS COST ONLY. NO LABOR OR SHOP CHARGES WILL BE ADDED.



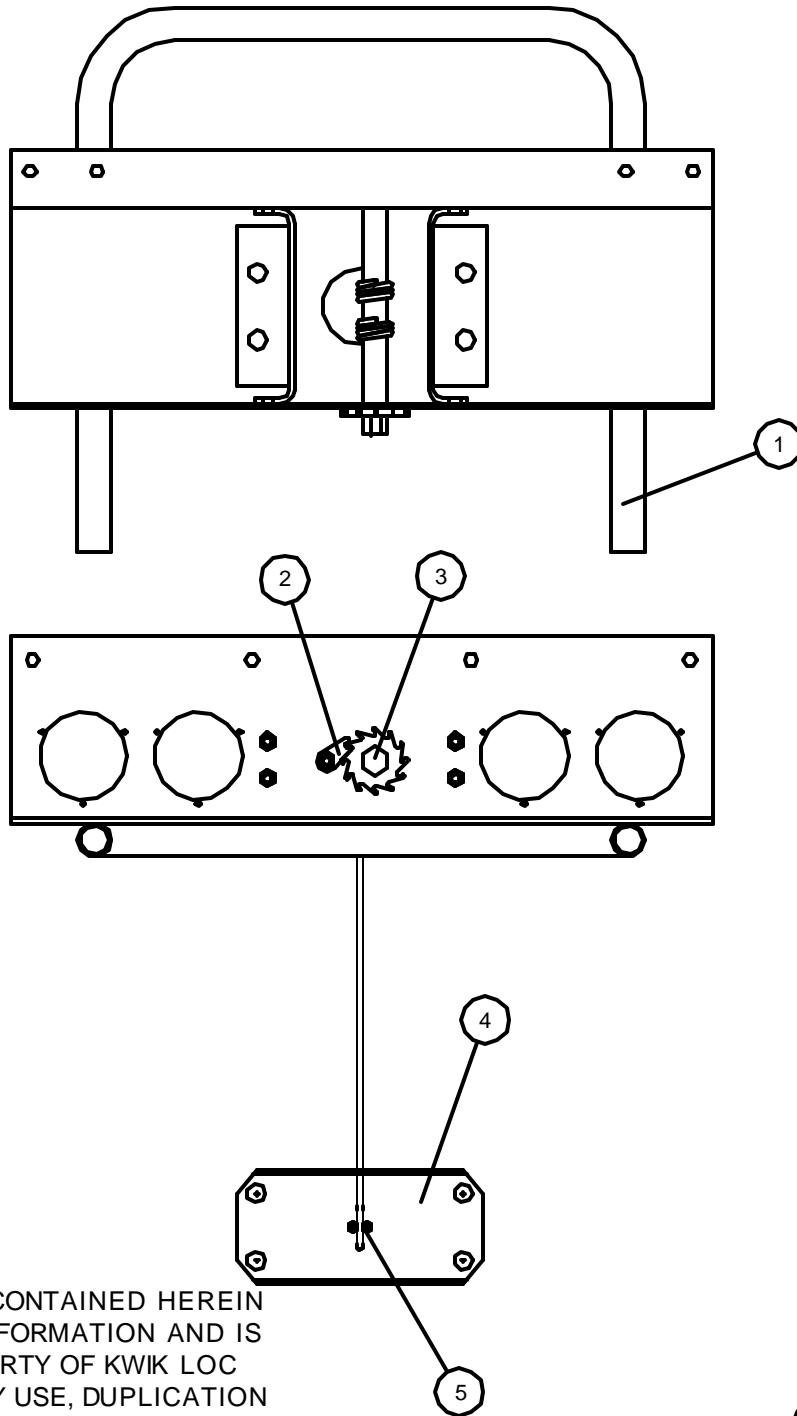
FRAME ASSEMBLY, FEDEX GROUND, 2003 AR

KWIK-LOC CORP.

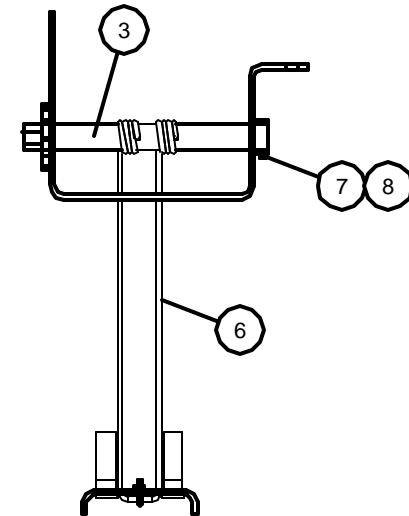
FILENAME	DWG NO	REV
002-FRAME.VSD	662058	A
SCALE	SHEET	REV
NONE	1 OF 1	

ITEM	QTY.	PART NO.	DESCRIPTION
1	1	662058	FRAME ASSEMBLY

2



ITEM	QTY.	PART NO.	DESCRIPTION
1	1	662035	CUSHION, TIRE
2	1	659498	PAWL
3	1	662029	WINCH ASSM.
4	1	660660	HOIST PLATE ASSM, 10 HOLE WHEEL
5	1	614237	U-BOLT
6	1	614617	CABLE, 1/4"
6	1	851618-28	5/16-18 X 1 3/4 BOLT GR. 5
7	1	851618-04	5/16-18 NYLON LOCKNUT



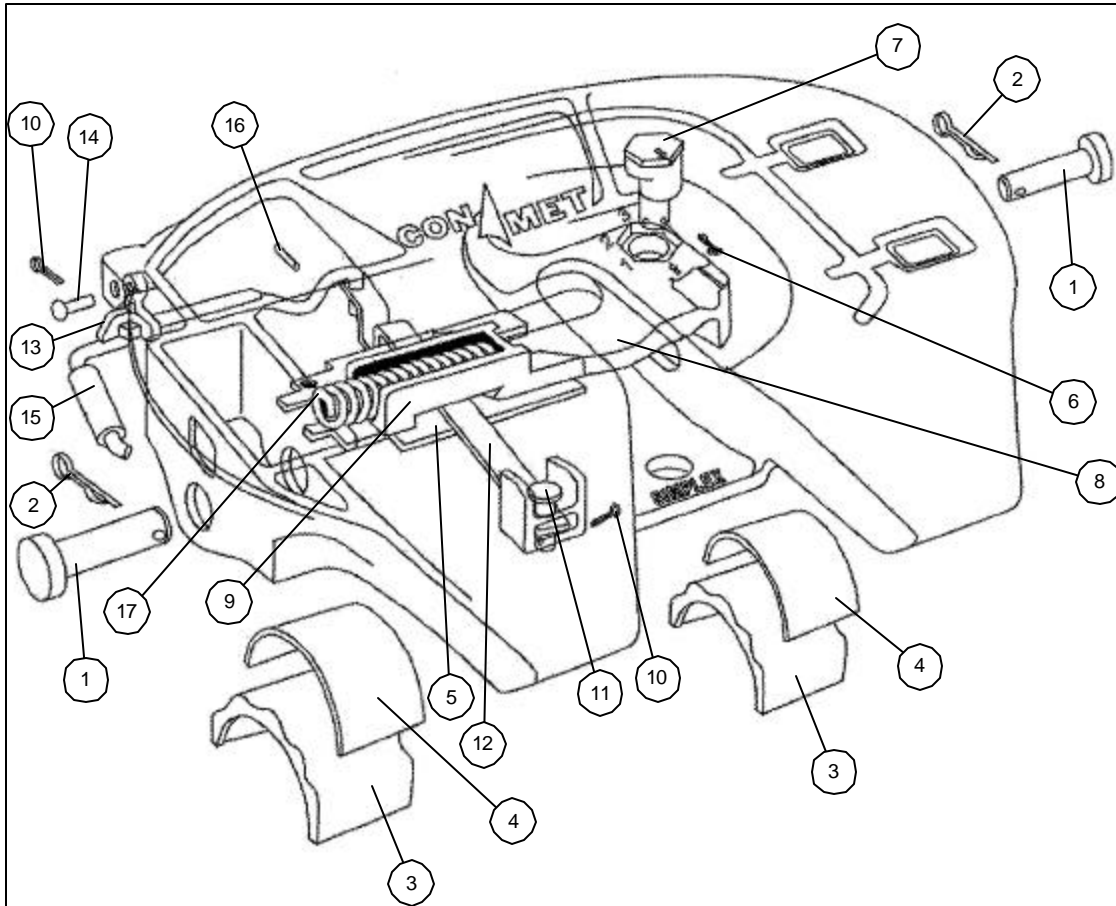
THE INFORMATION CONTAINED HEREIN IS CONFIDENTIAL INFORMATION AND IS THE SOLE PROPERTY OF KWIK LOC CORPORATION. ANY USE, DUPLICATION OR TRANSMITTAL TO OTHERS WITHOUT THE WRITTEN CONSENT OF KWIK LOC CORPORATION IS STRICTLY PROHIBITED.

3

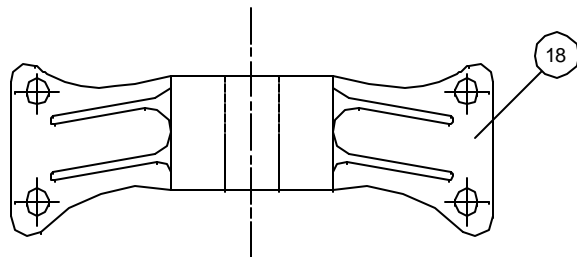
SPARE TIRE CARRIER, FEDEX 2003 SERIE S M4500

KWIK-LOC CORP.

FILENAME	DWG NO	REV
003~STC.VSD		A
SCALE	SHEET	REV
NONE	1 OF 1	



18	2	659708	MOUNTING BRACKET, FOOT 9839
17	1	659474	LOCK SPRING 12-1-00706
16	1	99-0-00181	SLOTTED SPRING PIN
15	1	41-2-00382	OPERATING ROD
14	1	659473	SAFETY LATCH PIN 54-1-00711
13	1	658439	SAFETY LATCH 41-1-01250
12	1	41-2-00373	BAR, LEVER
11	1	40-1-00250	PIN, LEVER BAR
10	2	659464	COTTER PIN 84261
9	1	659476	LOCK 41-4-09931
8	1	659463	JAW 41-4-09930
7A	1	41-3-09977	PIN, JAW, OS, NOT SHOWN
7	1	659475	PIN, JAW 41-3-09916
6	1	659447	COTTER PIN 99-0-00170
5	1	41-2-00155	COVER PLATE
4	2	659503	POLY PAD 41-1-00329
3	2	659942	POLY BRACKET SHOE 41-3-00328
2	2	659462	CLINCH PIN 99-0-00169
1	2	658440	PIVOT PIN 54-1-00705

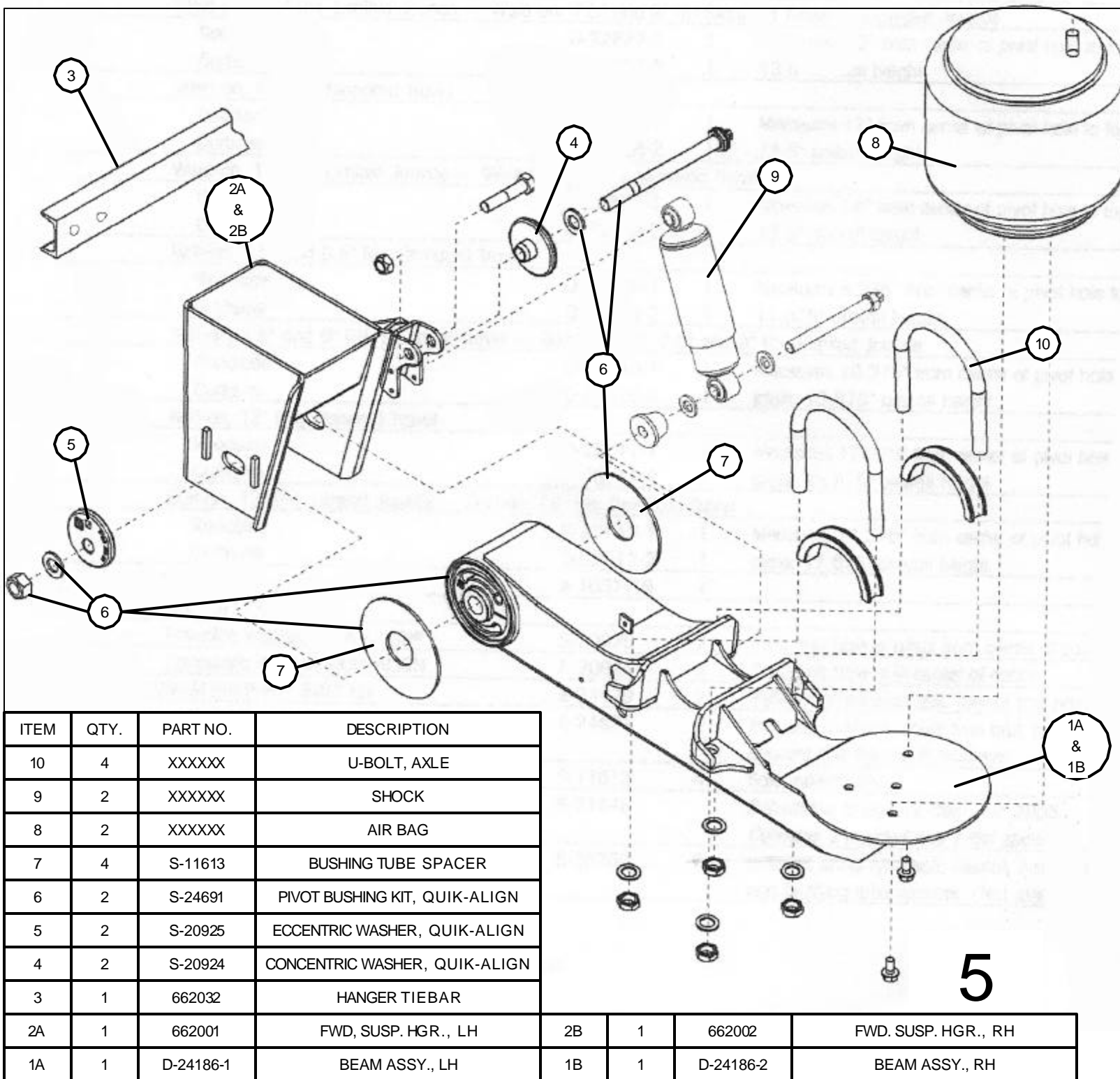


4

SIMPLEX LITE 5TH WHEEL

KWIK LOC

FILENAME	DWG NO	REV
004-5THSIMPLEXLITE.VSD	662150	A
SCALE	NONE	SHEET 1 OF 1



ITEM	QTY.	PART NO.	DESCRIPTION				
10	4	XXXXXX	U-BOLT, AXLE				
9	2	XXXXXX	SHOCK				
8	2	XXXXXX	AIR BAG				
7	4	S-11613	BUSHING TUBE SPACER				
6	2	S-24691	PIVOT BUSHING KIT, QUIK-ALIGN				
5	2	S-20925	ECCENTRIC WASHER, QUIK-ALIGN				
4	2	S-20924	CONCENTRIC WASHER, QUIK-ALIGN				
3	1	662032	HANGER TIEBAR				
2A	1	662001	FWD, SUSP. HGR., LH	2B	1	662002	FWD. SUSP. HGR., RH
1A	1	D-24186-1	BEAM ASSY., LH	1B	1	D-24186-2	BEAM ASSY., RH

SUSPENSION, FEDEX GROUND, 2003 AR

KWIK-LOC CORP.

FILENAME
005-SUSPENSION.VSD

DWG NO

REV
A

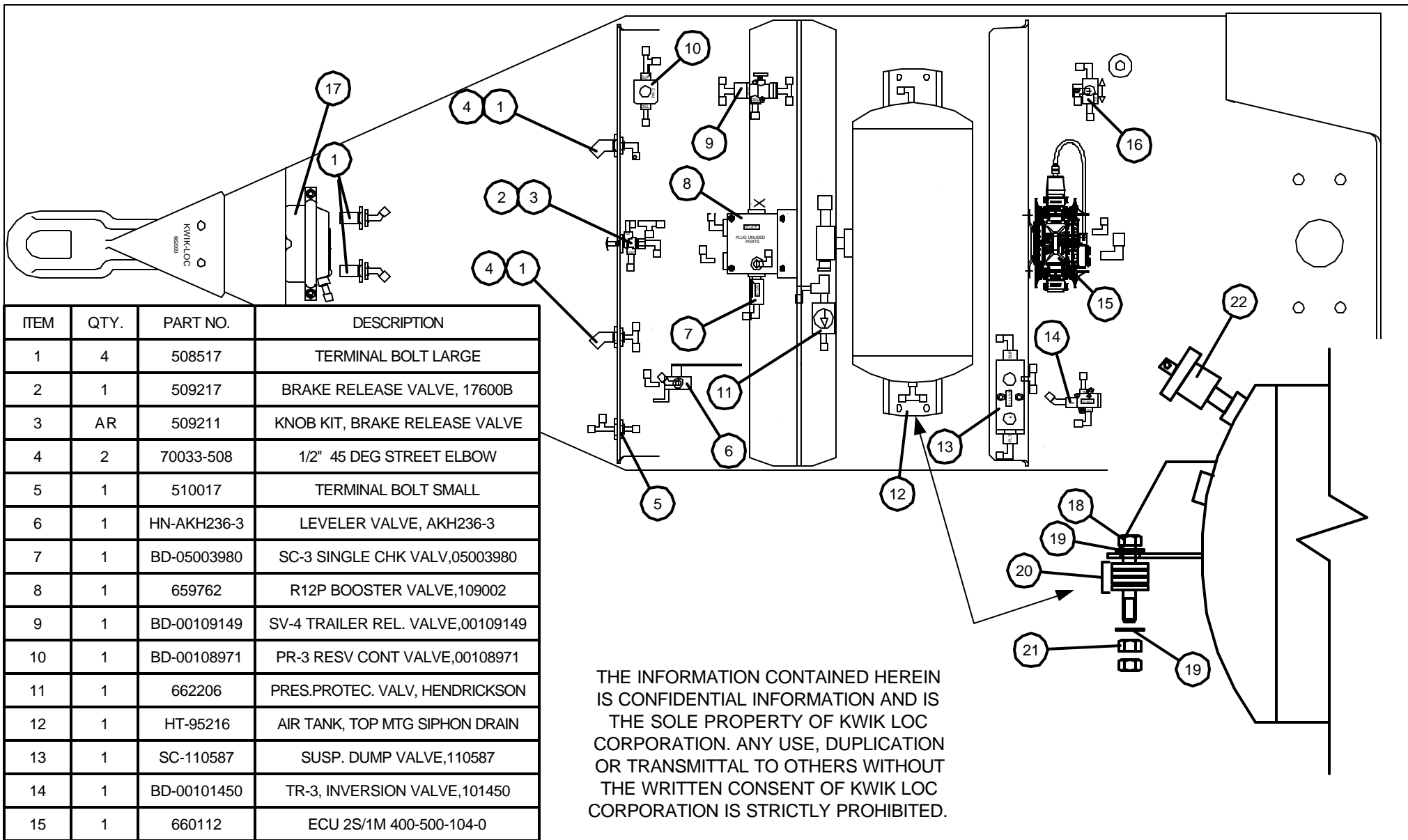
SCALE
NONE

SHEET

1 OF 1

THE INFORMATION CONTAINED HEREIN IS CONFIDENTIAL INFORMATION AND IS THE SOLE PROPERTY OF KWIK LOC CORPORATION. ANY USE, DUPLICATION OR TRANSMITTAL TO OTHERS WITHOUT THE WRITTEN CONSENT OF KWIK LOC CORPORATION IS STRICTLY PROHIBITED.

5

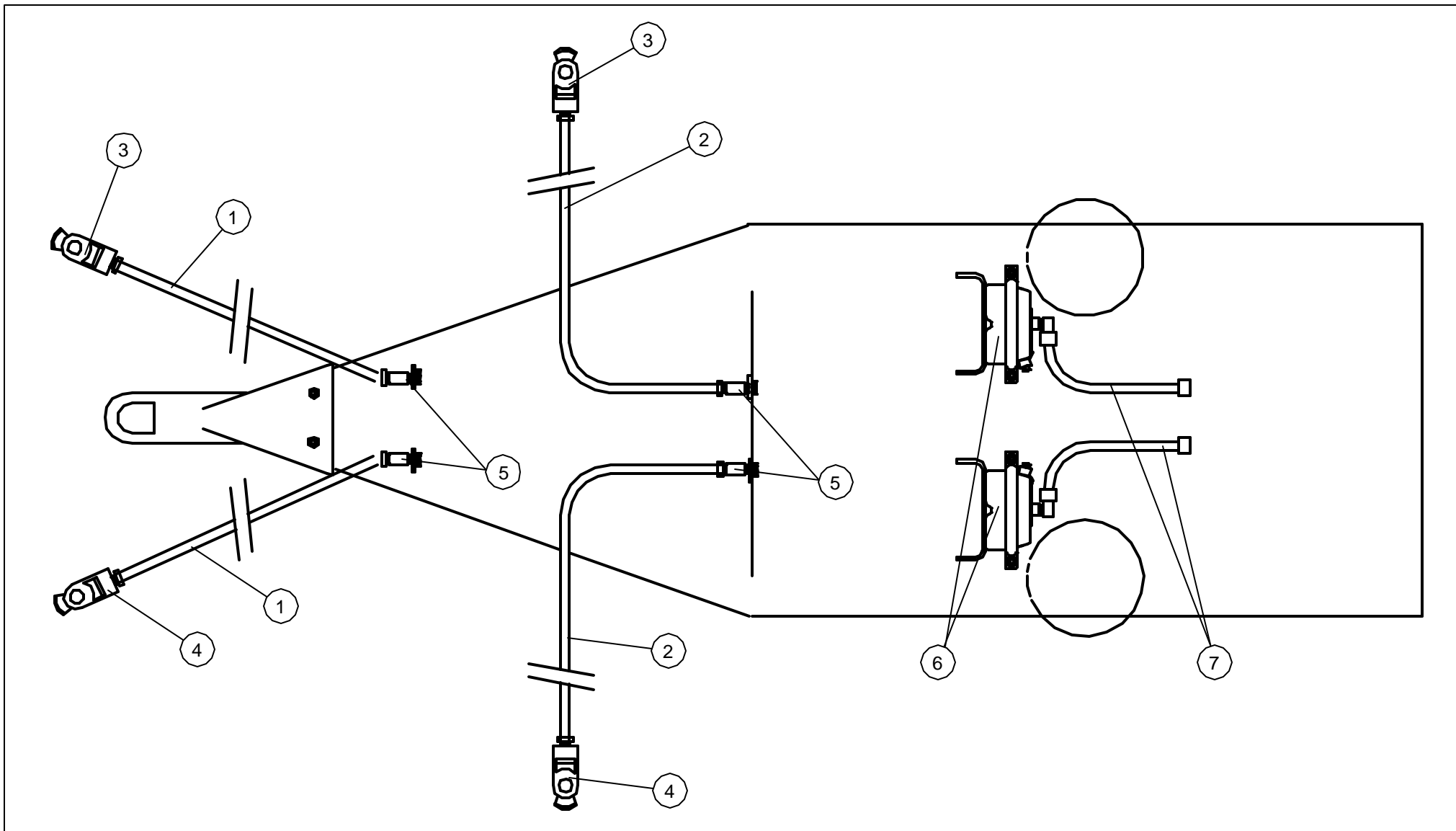


ITEM	QTY.	PART NO.	DESCRIPTION
1	4	508517	TERMINAL BOLT LARGE
2	1	509217	BRAKE RELEASE VALVE, 17600B
3	AR	509211	KNOB KIT, BRAKE RELEASE VALVE
4	2	70033-508	1/2" 45 DEG STREET ELBOW
5	1	510017	TERMINAL BOLT SMALL
6	1	HN-AKH236-3	LEVELER VALVE, AKH236-3
7	1	BD-05003980	SC-3 SINGLE CHK VALV,05003980
8	1	659762	R12P BOOSTER VALVE,109002
9	1	BD-00109149	SV-4 TRAILER REL. VALVE,00109149
10	1	BD-00108971	PR-3 RESV CONT VALVE,00108971
11	1	662206	PRES.PROTEC. VALV, HENDRICKSON
12	1	HT-95216	AIR TANK, TOP MTG SIPHON DRAIN
13	1	SC-110587	SUSP. DUMP VALVE,110587
14	1	BD-00101450	TR-3, INVERSION VALVE,101450
15	1	660112	ECU 2S/1M 400-500-104-0
16	1	BD-00278615	DC-4, DOUBLE CHECK VALVE,278615
17	1	535417	AIR CHAMBER, ANTI-SLACK EYE
18	4	83816-40	3/8-16 X 2.5 GR5
19	8	83800-02	3/8 SAE FLAT WASHER
20	16	658328	RUBBER WASHER, AIR TANK
21	8	83816-04	3/8-16 LOCK NUT, NYLOC
22	1	473900	DRAIN VALVE W/CABLE

THE INFORMATION CONTAINED HEREIN IS CONFIDENTIAL INFORMATION AND IS THE SOLE PROPERTY OF KWIK LOC CORPORATION. ANY USE, DUPLICATION OR TRANSMITTAL TO OTHERS WITHOUT THE WRITTEN CONSENT OF KWIK LOC CORPORATION IS STRICTLY PROHIBITED.

6

VALVES, 2003 FEDEX AR, M4500 SERIES		
KWIK-LOC CORP.		
FILENAME	DWG NO	REV
006-VALVES.VSD		A
SCALE	NONE	SHEET 1 OF 1

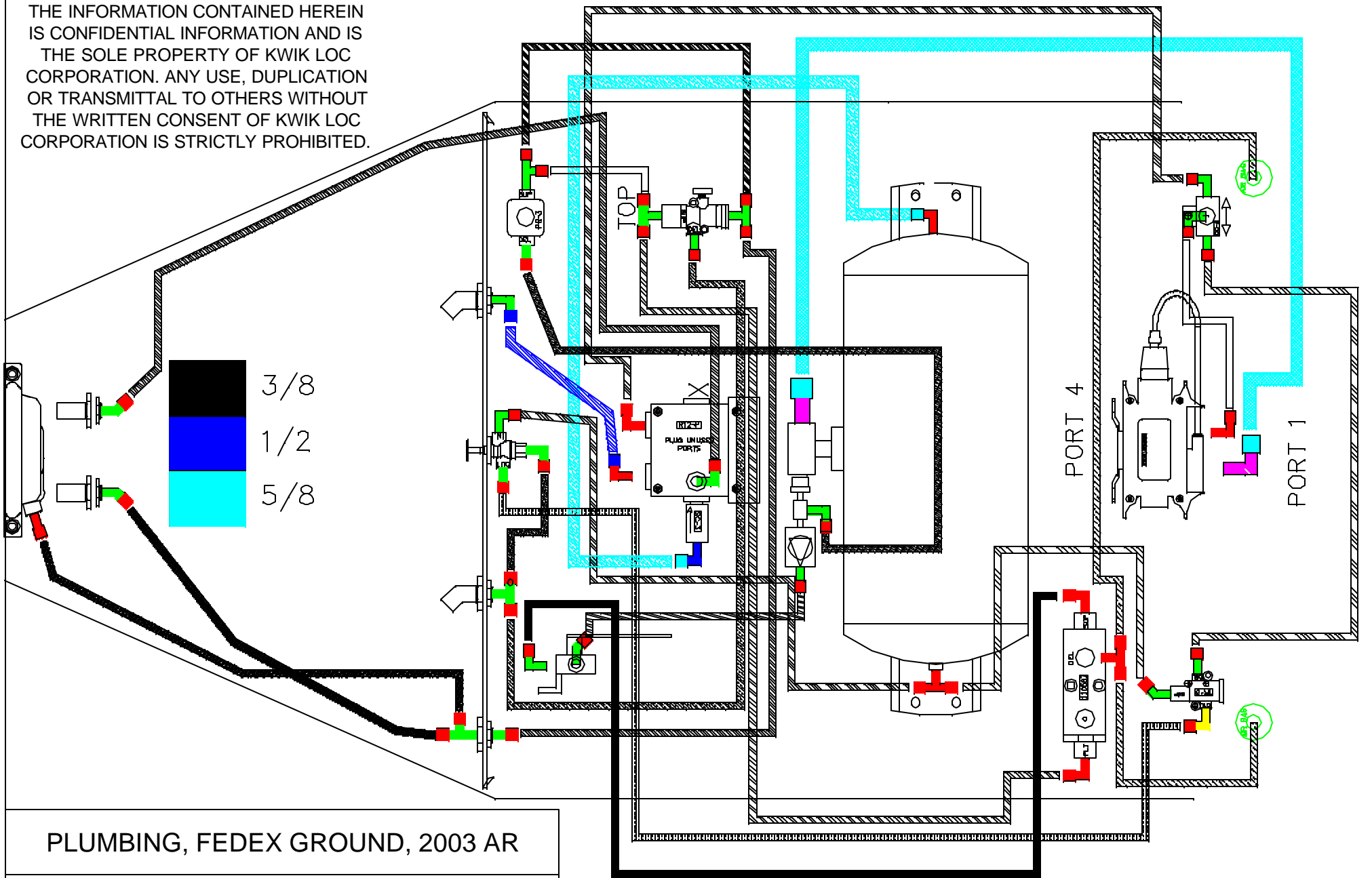


ITEM	QTY	PART NO	DESCRIPTION
7	2	662205	BRAKE CHAMBER, TYP30
6	2	659710	BRAKE HOSE, 27"
5	4	508517	TERMINAL BOLT, BULKHEAD
4	2	658377	EMERG GLADHAND, CST
3	2	658376	SERVICE GLADHAND, CST
2	2	662141	63" HOSE, 3/8" ID
1	2	662140	51" HOSE, 3/8" ID

7

HOSE ASSEMBLIES			
KWIK LOC			
FILENAME 007~HOSES.VSD		DWG NO	
SCALE 1 : 1		G30016	SHEET 1 OF 1
		REV	

THE INFORMATION CONTAINED HEREIN IS CONFIDENTIAL INFORMATION AND IS THE SOLE PROPERTY OF KWIK LOC CORPORATION. ANY USE, DUPLICATION OR TRANSMITTAL TO OTHERS WITHOUT THE WRITTEN CONSENT OF KWIK LOC CORPORATION IS STRICTLY PROHIBITED.

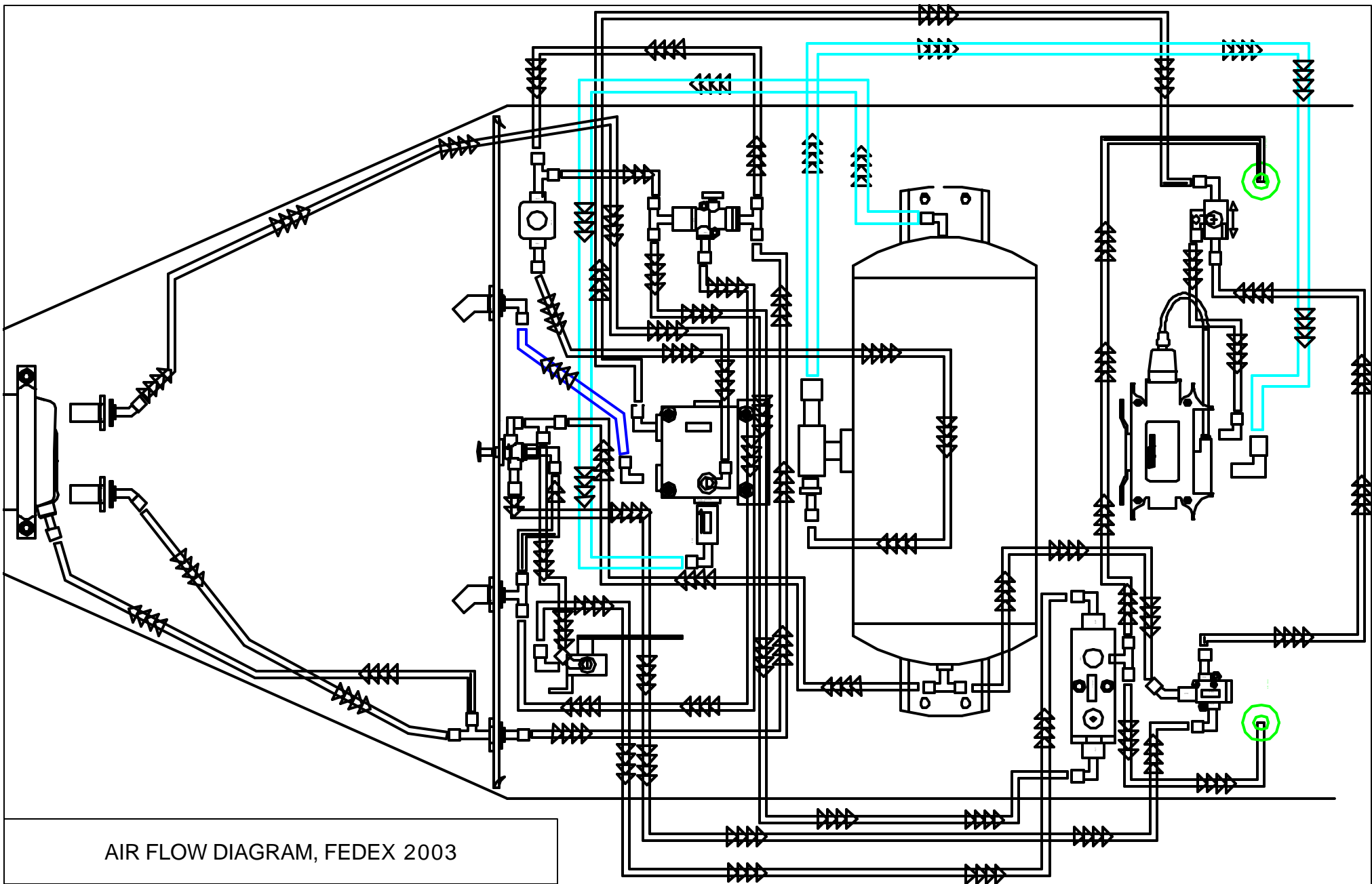


PLUMBING, FEDEX GROUND, 2003 AR

KWIK-LOC CORP.

FILENAME	DWG NO	REV
008-PLUMBING.VSD		A
SCALE	SHEET	
NONE	1 OF 1	

8



AIR FLOW DIAGRAM, FEDEX 2003

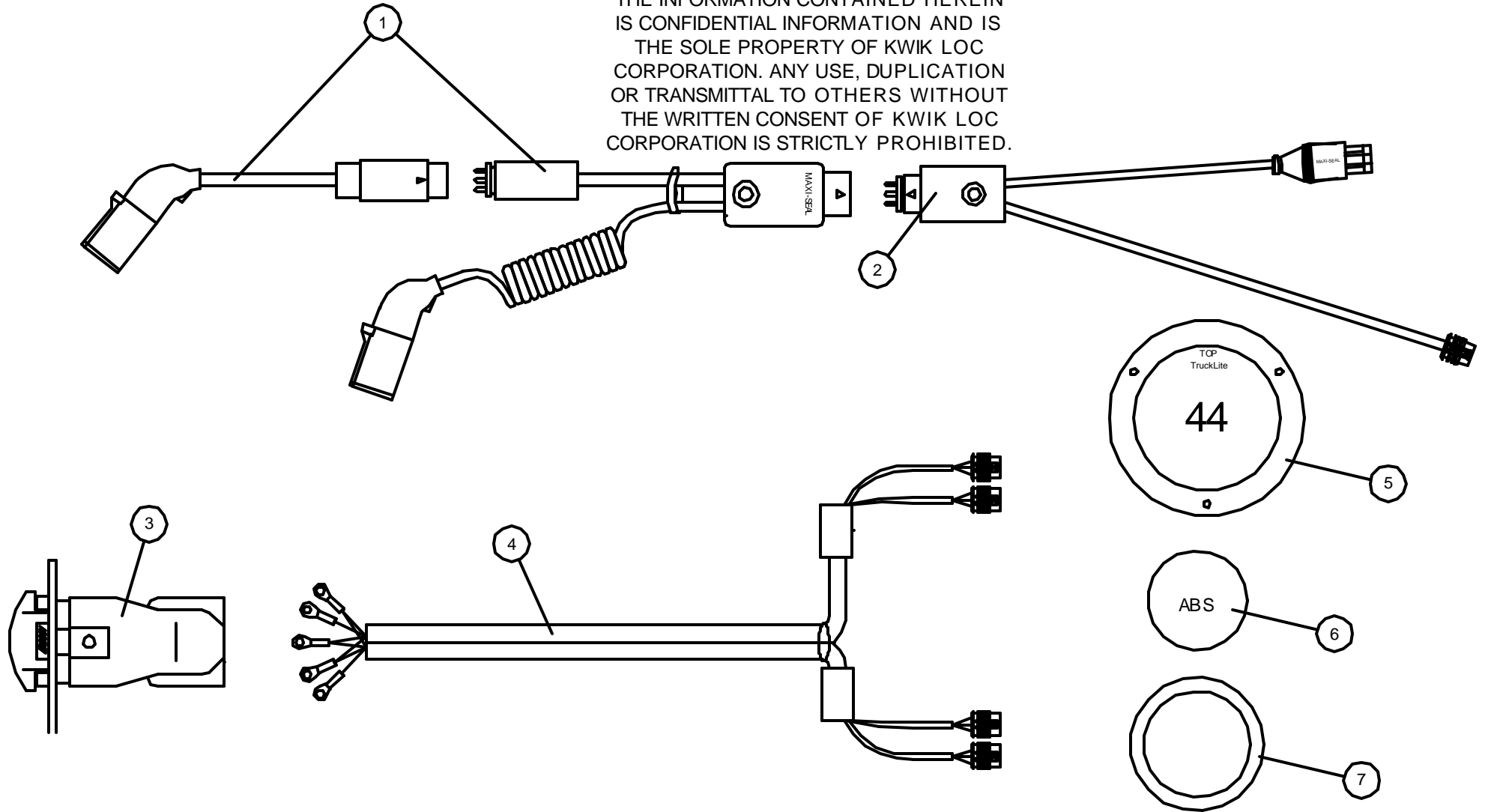
KWIK-LOC CORP.

FILENAME 009-AIRFLOW.VSD	DWG NO	REV A
SCALE NONE	SHEET 1 OF 1	

9

THE INFORMATION CONTAINED HEREIN IS CONFIDENTIAL INFORMATION AND IS THE SOLE PROPERTY OF KWIK LOC CORPORATION. ANY USE, DUPLICATION OR TRANSMITTAL TO OTHERS WITHOUT THE WRITTEN CONSENT OF KWIK LOC CORPORATION IS STRICTLY PROHIBITED.

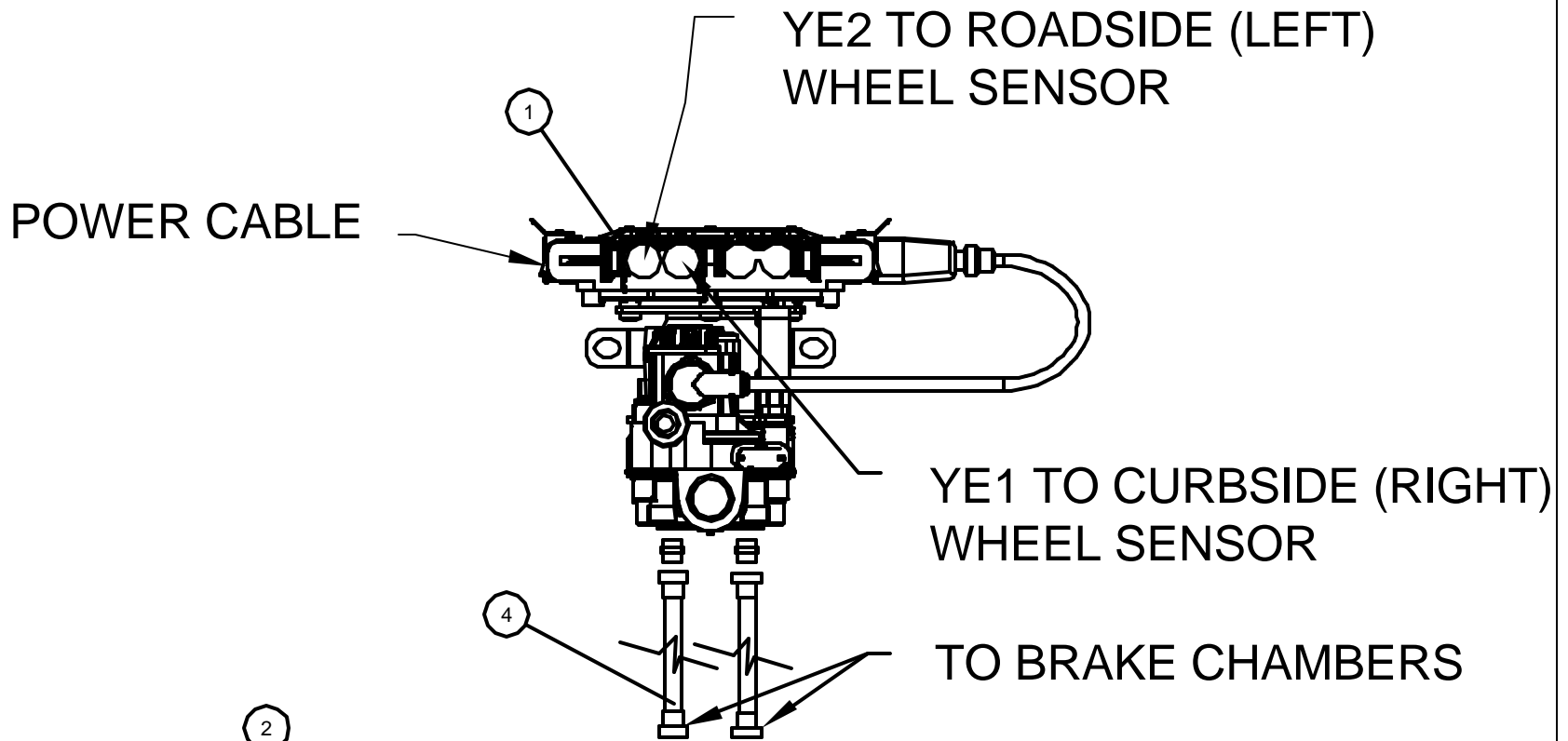
THE INFORMATION CONTAINED HEREIN IS CONFIDENTIAL INFORMATION AND IS THE SOLE PROPERTY OF KWIK LOC CORPORATION. ANY USE, DUPLICATION OR TRANSMITTAL TO OTHERS WITHOUT THE WRITTEN CONSENT OF KWIK LOC CORPORATION IS STRICTLY PROHIBITED.



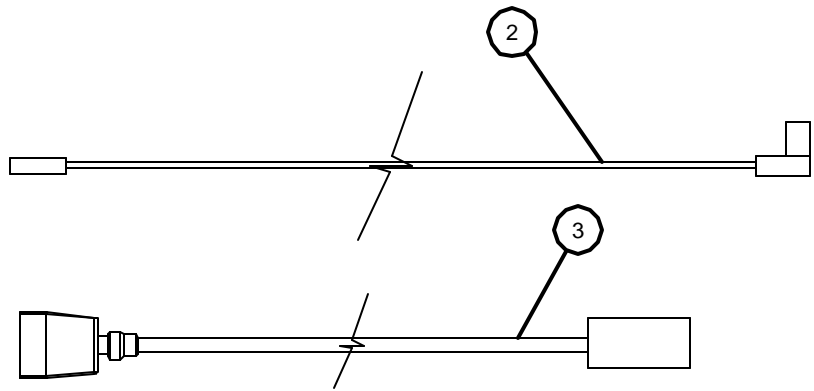
ITEM	QTY.	PART NO.	DESCRIPTION
1	1	662100	FWD. ABS HARNESS ASSM.
2	1	662102	REAR ABS HARNESS ASSM.
3	1	PH16-722	7-WAY STAYDRY SOCKET, SCW MTG
4	1	662101	LIGHT HARNESS
5	4	662105	RED L.E.D. SUPER 44, LAMP
6	1	662103	A.B.S. LAMP, GROMMET MOUNT
7	1	662104	GROMMET, ABS LAMP

10

WIRING HARNESS, 2003 FEDEX AR M4500		
KWIK-LOC CORP.		
FILENAME 010-WIRING.VSD	DWG NO	REV A
SCALE NONE	SHEET	1 OF 1



THE INFORMATION CONTAINED HEREIN IS CONFIDENTIAL INFORMATION AND IS THE SOLE PROPERTY OF KWIK LOC CORPORATION. ANY USE, DUPLICATION OR TRANSMITTAL TO OTHERS WITHOUT THE WRITTEN CONSENT OF KWIK LOC CORPORATION IS STRICTLY PROHIBITED.



ITEM	QTY.	PART NO.	DESCRIPTION
1	1	660112	ECU 2S/1M 400-500-104-0
2	2	660114	SENSOR EXT. CABLE 5.9 FT
3	1	662106	POWER CABLE, 10FT
4	2	659710	27" BRAKE HOSE ASSY.

ABS WIRING, 2003 FEDEX AR, M4500 SERIES

KWIK-LOC CORP.

FILENAME 011~ABS.VSD	DWG NO	REV A
SCALE NONE	SHEET 1 OF 1	

STOCKCODE	DESCR	QUANTITY
662150	SIMPLEX - 9839 NARROW BRACKET, WB	1
AMTP8671QH5110	AXLE ASSY., LES SLK ADJ, AIR CHBRS, W/HAYES 440019 HUB & DRM, 77.5" 5/8 WALL, MA312 LINING	1
HD-SN146DV	YOKE ASSY, CAST, SLACK ADJ., WB	2
602517	SHOE, ADJ. EYE	1
662000	EYE ADJ, 74" WIDE BODY, REV 2	1
615854	5/8" X 32" GRADE 80 CHAIN W/ J-92 HOOK AND SAFETY LATCH, COLD ZINC SILVER	2
662100	WIRE HARNESS, LIT ASSY. FRONT, MAIN/PERMA DISCONNECT, WB	1
662101	WIRE HARNESS, MAIN, LIT ASSY., WB	1
662102	WIRING HARNESS, ABS, WB	1
662103	A.B.S. LAMP, GROMMET MOUNT	1
662104	GROMMET, ABS LAMP	1
662105	44322 R L.E.D. SUPER 44, LAMP	4
662106	POWER CABLE, 10FT	1
662108	7-WAY SOCKET WEATHER-GUARD BOOT	1
662109	7-WAY STA-DRY COSKET SPLIT PIN 2-HOLE RING TERMINAL	1
616217	BACK-UP PLATE, SAFETY CHAIN U-BOLT	2
659886	SHAFT, ADJ. EYE 18 5/8" LONG	1
660660	HOIST PLATE S.T.C. 10 HOLE	1
662010	X-MEMBER, AIR CHAMBER, WB REV A	1
662011	LEG X-MEMBER, WB REV A	1
662012	MTNG BRACKET, MID X-MEMBERS, WB REV A	8
662013	FWD. MID X-MEMBER, WB REV A	1
662018	BODY, STC, WB REV A	1
662019	REINF. BRKT, STC, WB REV A	2
662021	FWD. HGR. MTNG. PLATE, SUSPENSION, WB REV A	2
662023	GUSSET, FWD. HANGER, SUSPENSION, WB REV A	2
662025	AIR BAG X-MEMBER, SUSPENSION, WB REV A	1

STOCKCODE	DESCR	QUANTITY
662026	AFT. MID. X-MEMBER, WB REV A	1
662027	LIFT HANDLE, WB REV A	2
662028	BRACKET, LIFT HANDLE, WB REV A	4
662029	WINCH ASSY., STC, WB REV A	1
662031	HEX HEAD, STC, WB REV A	1
662035	ASSY. SPARE TIRE CARRIER, LESS WINCH, PAW AND LIFT PLATE ASSY., WB REV A	1
662038	ABS GUARD, WB, REV B	1
662040	PIPE STAND ASSY, PAINTED FED GREY	1
M4500A	BASE FRAME ASSY, M4500 SERIES, ASSEMBLD, POWER COATED, DELIVERED, KWIK-LOC TO SUPPLY EYE	1
BS-DF25-940	MUDFLAP HANGER ASSY., WB	1
537317	U-BOLT, SAFETY CHAIN	2
614617	CABLE S.T.C. 60" LG .187 THK.	1
657547	COUPLING, ADJ. EYE	1
658359	DUMMY GLADHAND, VELVAC STAMPED STEEL	2
659498	PAWL, WINCH CON GEAR	1
662052	WASHER, U-BOLT, SAFETY CHAIN, WB REV A	2
662053	WASHER, NYLON .625 X 0.937 X .093, PAWL, WB	1
662054	WASHER, NYLON 1.388 X 1.625 X 0.094, SPROCKET STC, WB	1
8912T13	1/8" VINYL COATED CABLE FOR DRAIN VALVE	3.8
PS1	REGISTRATION HOLDER, WB	1
KN-392430.9L	3/8" X 24" X 30" LH ULTRA-RUBBER WHITE PREMIUM GUARD	1
KN-392430.9R	3/8" X 24" X 30" RH ULTRA-RUBBER WHITE PREMIUM GUARD	1
473900	1/4" NPTF DRAIN VALVE ASSY. WITH CABLE	1
508517	TERNIMAL BOLT ,LARGE .500 MNPT X.250 FNPT	4
509217	BRAKE RELEASE VALVE	1

STOCKCODE	DESCR	QUANTITY
510017	TERMINAL BOLT SMALL, 1/4 NPTF X 3/4 -16 OD	1
535417	TYPE 24 AIR CHAMBER, FOR EYE	1
658376	GLADHAND SERVICE, VELVAC,RDWY ONLY	2
658377	GLADHAND EMG., VELVAC,RDWY ONLY	2
659710	27" BRAKE HOSE ASSY.	2
659762	R12P BOOSTER VALVE	1
662140	51" HOSE 3/8" I.D. NO GLADHANDS	2
662141	63" HOSE 3/8" I.D. NO GLADHANDS	2
662200	TR-3, INVERSION VALVE	1
662201	PR-3 RESV CONT VALVE	1
662202	SV-4 TRAILER RELEASE VALVE	1
662203	DC-4, DOUBLE CHECK VALVE	1
662204	SC-3 SINGLE CHK VALV	1
HT-95216	AIR TANK, TOP MTG SIPHON DRAIN	1
658328	RUBBER WASHER, AIR TANK, 1 1/4" O.D. 3/8" I.D. 1/4" THICK	16
ZKGR-2564	7/8" RUBBER GROMMET	4
662205	TYPE 30 SERVICE CHAMBER	2
HD-409-20002	SLACK ADJUSTER	2
HD-427-10563	BRACKET KIT	2
HN-AKH236-3	HEIGHT CONTROL VALVE, WB	1
HN-HT250US.352	AIR SUSPENSION W/AIR CONTROL KIT	1
660112	ECU 2S/1M 400-500-104-0	1
660114	SENSOR EXT. CABLE 4497130180, 5.9 FT	2
660116	POWER CABLE 4493260050	1
SC-110587	AIR SUSPENSION PILOT VALVE, WB	1