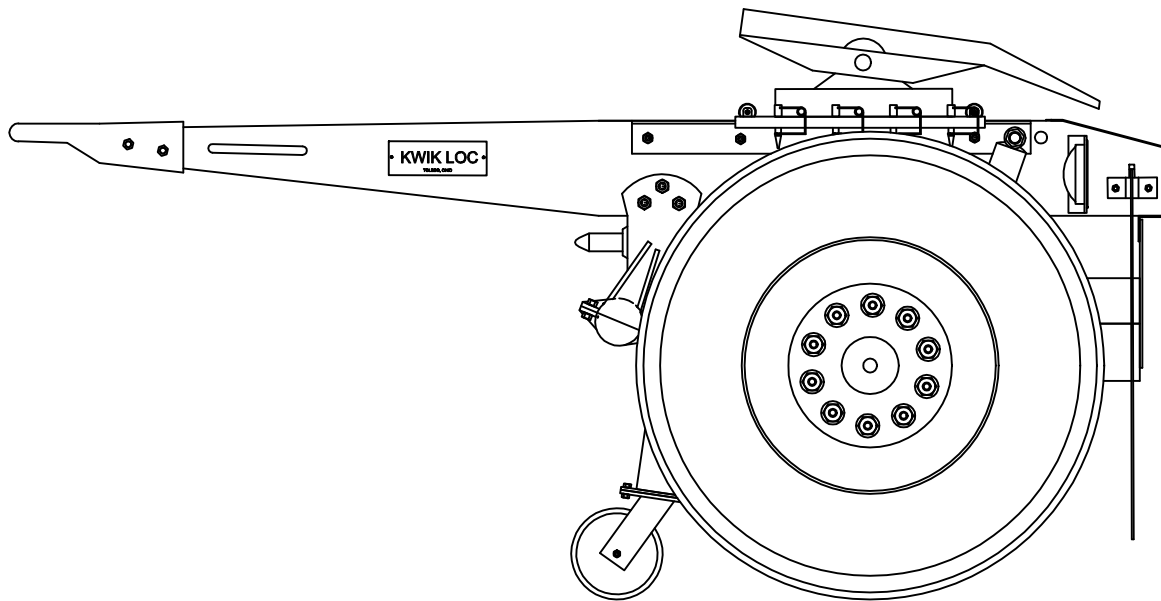
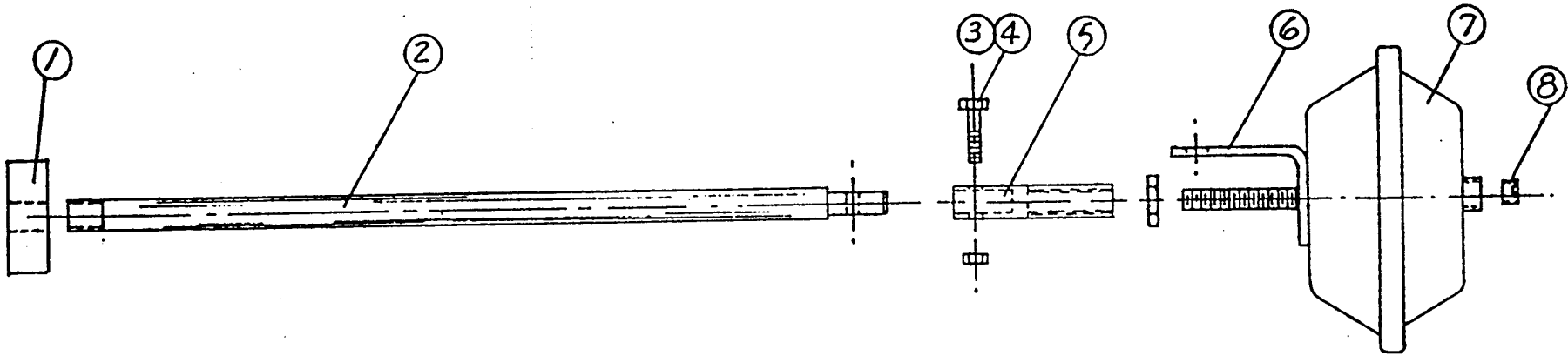


Kwik Loc 1999



Roadway Express

Kwik Loc Corp.
7340 Dorr St.
Toledo, Ohio 43615
(419) 867-9393
(419) 867-1811 Fax
<http://www.kwikloc.com>



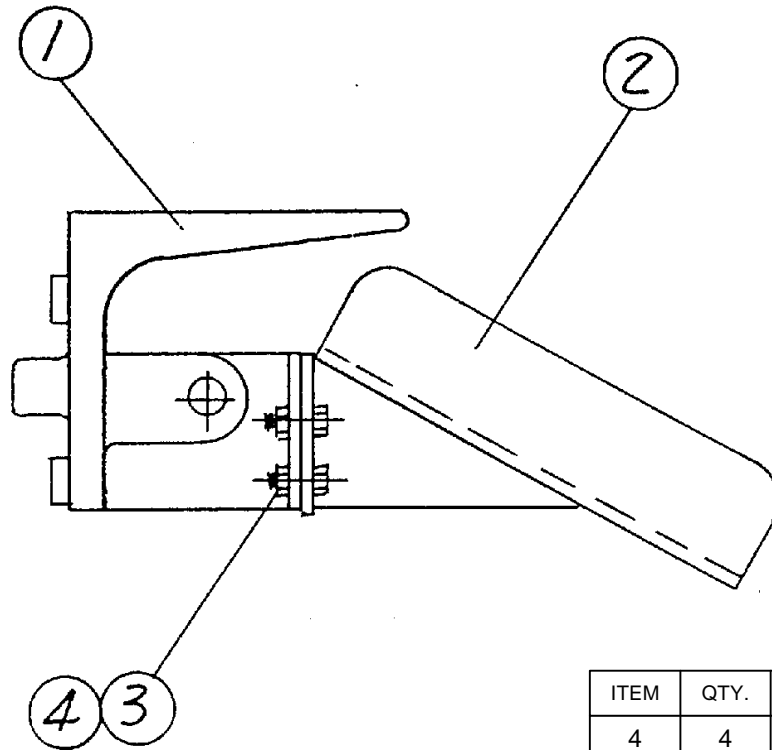
ITEM	QTY.	PART NO.	DESCRIPTION
8	1	70031-516	FLUSH PLUG, ALLEN HEAD
7	1	535417	AIR CHAMBER
6	1	658147	MOUNTING BRACKET
5	1	657547	COUPLING
4	1	81420-04	1/4-20 LOCK NUT
3	1	81420-24	1/4-20 X 1 1/2 BOLT GR5
2	1	659886	SHAFT
1	1	602517	SHOE

ASSEMBLY, AIR ACTUATED EYE, KWIK LOC

KWIK LOC

SIZE	FSCM NO	DWG NO	REV
		658037	
SCALE	1/32 : 1	SHEET	1 OF 1

1



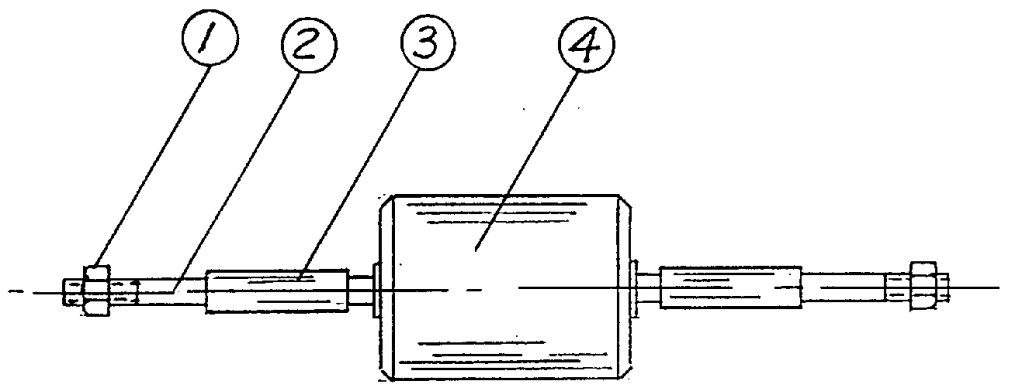
ITEM	QTY.	PART NO.	DESCRIPTION
4	4	83816-14	3/8-16 LOCKNUT
3	4	83816-24	3/8-16 X 1 1/2 BOLT GR5
2	1	657457	RAMP ASSEMBLY
1	1	800000	HITCH

2

ASSEMBLY, RAMP AND HITCH

KWIK LOC

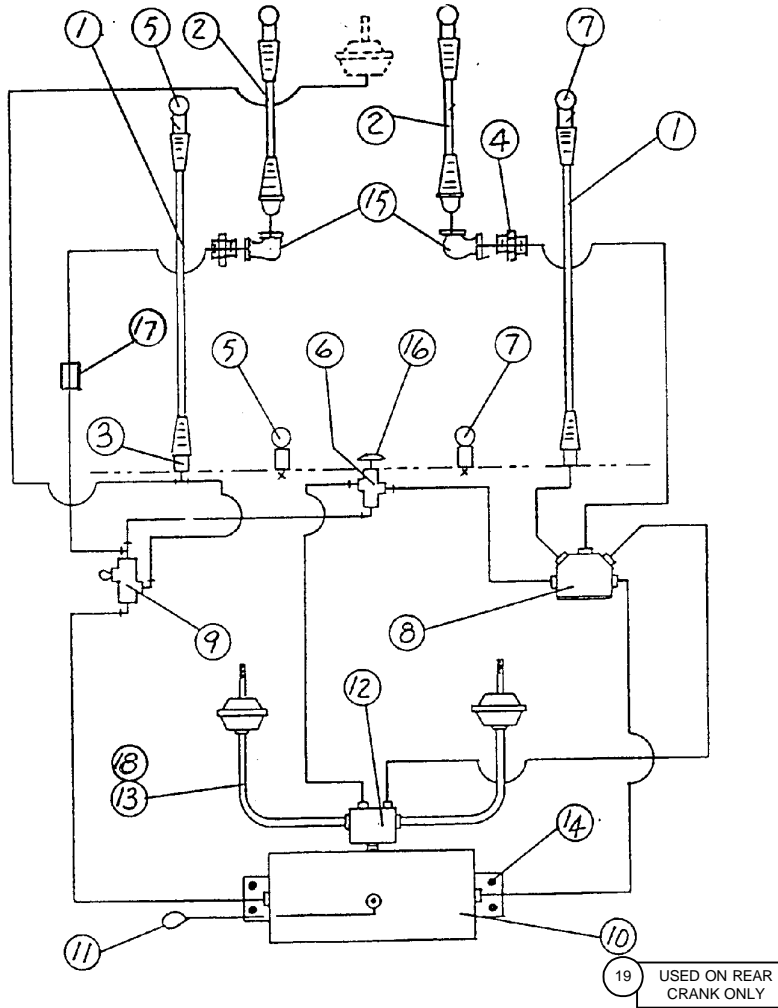
SIZE	FSCM NO	DWG NO 658277	REV
SCALE	1/32 : 1	SHEET	1 OF 1



ITEM	QTY.	PART NO.	DESCRIPTION
4	1	656957	ROLLER
3	2	529817	SPACER
2	1	529717	SHAFT
1	2	851518-04	5/16-18 LOCKNUT

3

ROLLER ASSEMBLY			
KWIK LOC			
SIZE	FSCM NO	DWG NO 529957	REV
SCALE	1/32 : 1	SHEET	1 OF 1



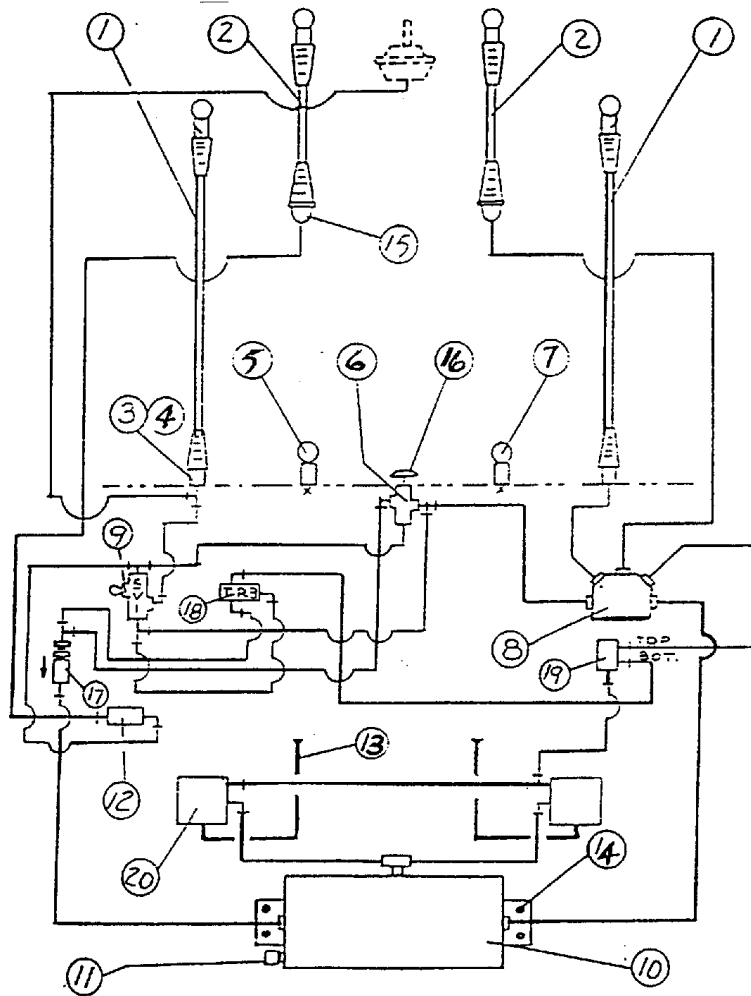
4

ITEM	QTY.	PART NO.	DESCRIPTION
19	1	659590	AIR TANK, SIPHON DRAIN
18	2	659815	BRAKE HOSE 24"
17	1	659714	FILTER, SEALCO 2550
16	1	509211	KNOB KIT B.R.V.
15	2	658353	1/2" PIPE ELBOW
14	4	658328	RUBBER WASHER
13	2	473906	BRAKE HOSE 15"
12	1	509117	RE-6 VALVE
11	1	473900	DRAIN VALVE W/CABLE
10	1	659590	TANK BOTTOM DRAIN
9	1	621217	SV-1- VALVE 283700
8	1	659762	R12P VALVE 109002
7	3	658376	GLADHAND SERVICE
6	3	509217	BRAKE RELEASE VLV
5	3	507750	GLADHAND, EMG.
4	6	508517	TERMINAL BOLT
3	2	658352	1/2" PIPE COUPLER
2	2	470875	HOSE 48"
1	2	658329	HOSE 72"

PLUMBING, RUBBER RIDE

KWIK LOC

SIZE	FSCM NO	DWG NO 658267	REV
SCALE	1/32 : 1	SHEET	1 OF 1



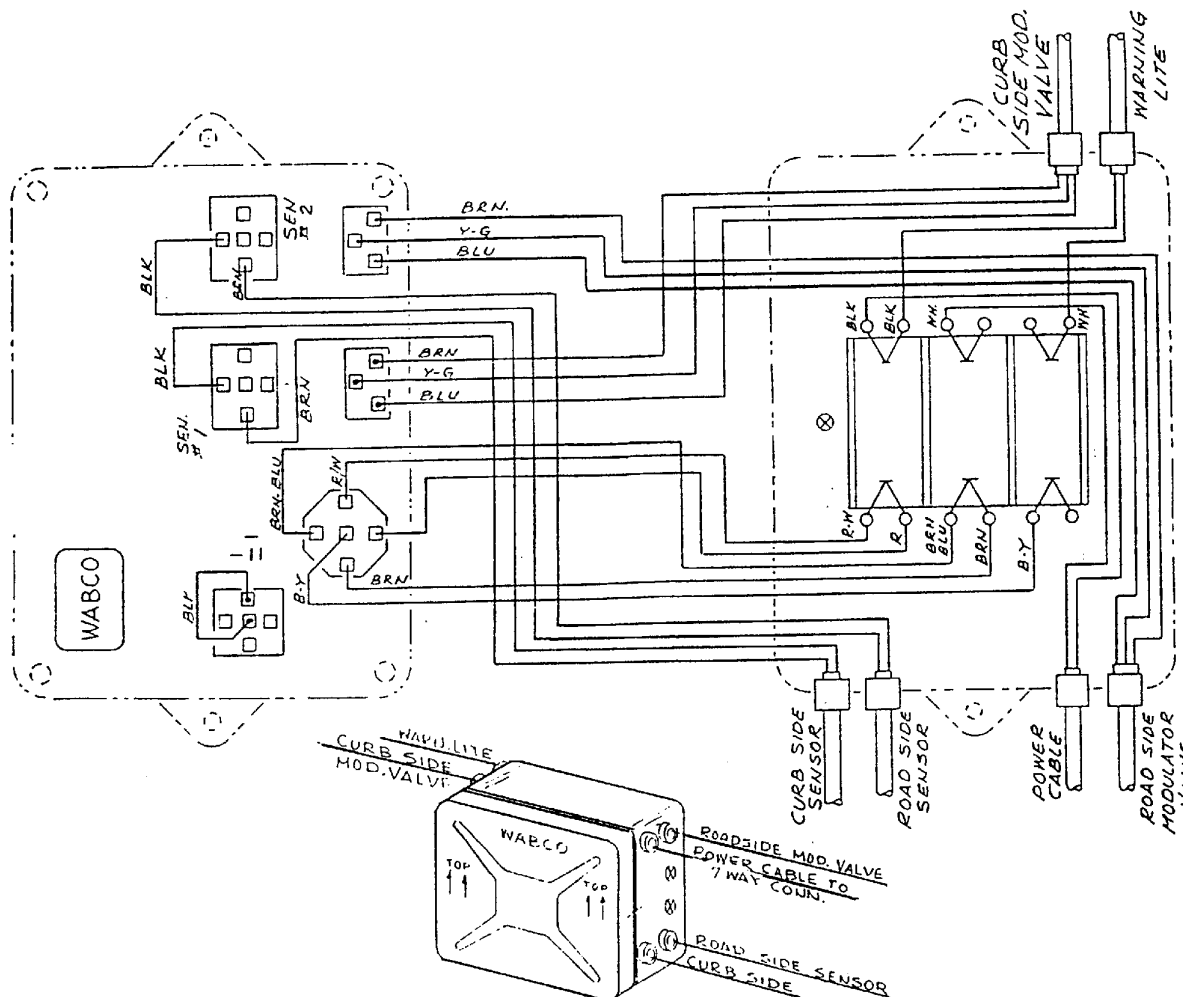
5

ITEM	QTY.	PART NO.	DESCRIPTION
20	2	659716	MODULATOR VALVE
19	1	659705	CHECK VALVE 2-WAY 278615
18	2	659815	BRAKE HOSE 24"
17	1	65970	CHECK VALVE 226691
16	1	509211	KNOB KIT B.R.V.
15	2	658353	1/2" PIPE ELBOW
14	4	658328	RUBBER WASHER
13	2	473906	BRAKE HOSE 15"
12	1	659714	FILTER, SEALCO 2550
11	1	473900	DRAIN VALVE W/CABLE
10	1	659590	TANK BOTTOM DRAIN
9	1	621217	SV- VALVE 283700
8	1	659762	R12P VALVE 109002
7	3	658376	GLADHAND SERVICE
6	3	509217	BRAKE RELEASE VLV
5	3	507750	GLADHAND, EMG.
4	6	508517	TERMINAL BOLT
3	2	658352	1/2" PIPE COUPLER
2	2	470875	HOSE 48"
1	2	658329	HOSE 72"

PLUMBING, ABS 1995 ONLY

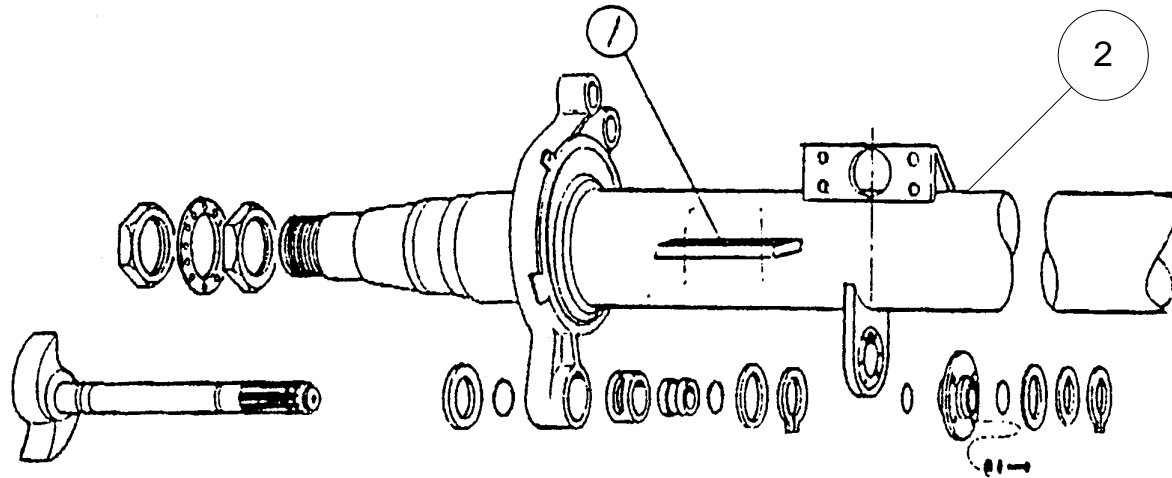
KWIK LOC

SIZE	FSCM NO	DWG NO	REV
		659717	
SCALE	1 : 1	SHEET	



6

WIRING DIAGRAM, A.B.S. PRE 1994			
KWIK LOC			
SIZE	FSCM NO	DWG NO	REV
SCALE	1 : 1	SHEET	1 OF 1

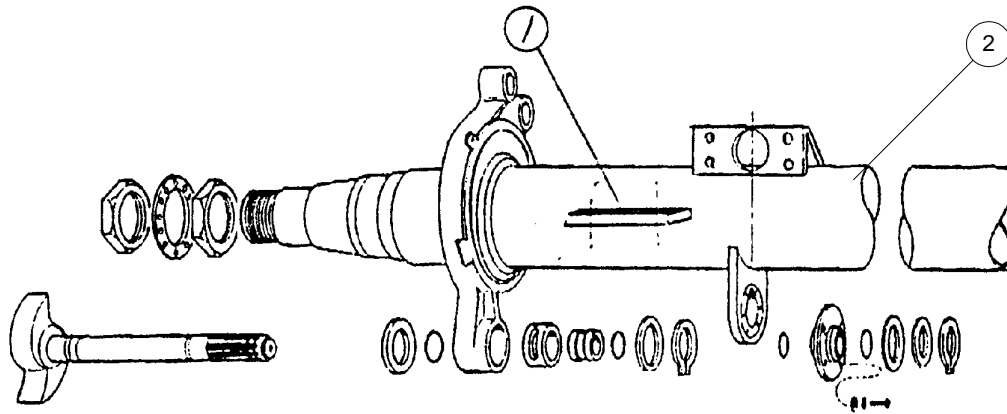


ITEM	QTY.	PART NO.	DESCRIPTION
1	4	600427	WELD BAR
2	1	658435	SERVICE BEAM

USED 1983 TO PRESENT

7

SERVICE BEAM STRAIGHT SPINDLE			
KWIK LOC			
SIZE	FSCM NO	DWG NO 658435	REV
SCALE	1 : 1	SHEET	1 OF 1



1982 ONLY ON AXLES WITH 10 STUD PATTERN

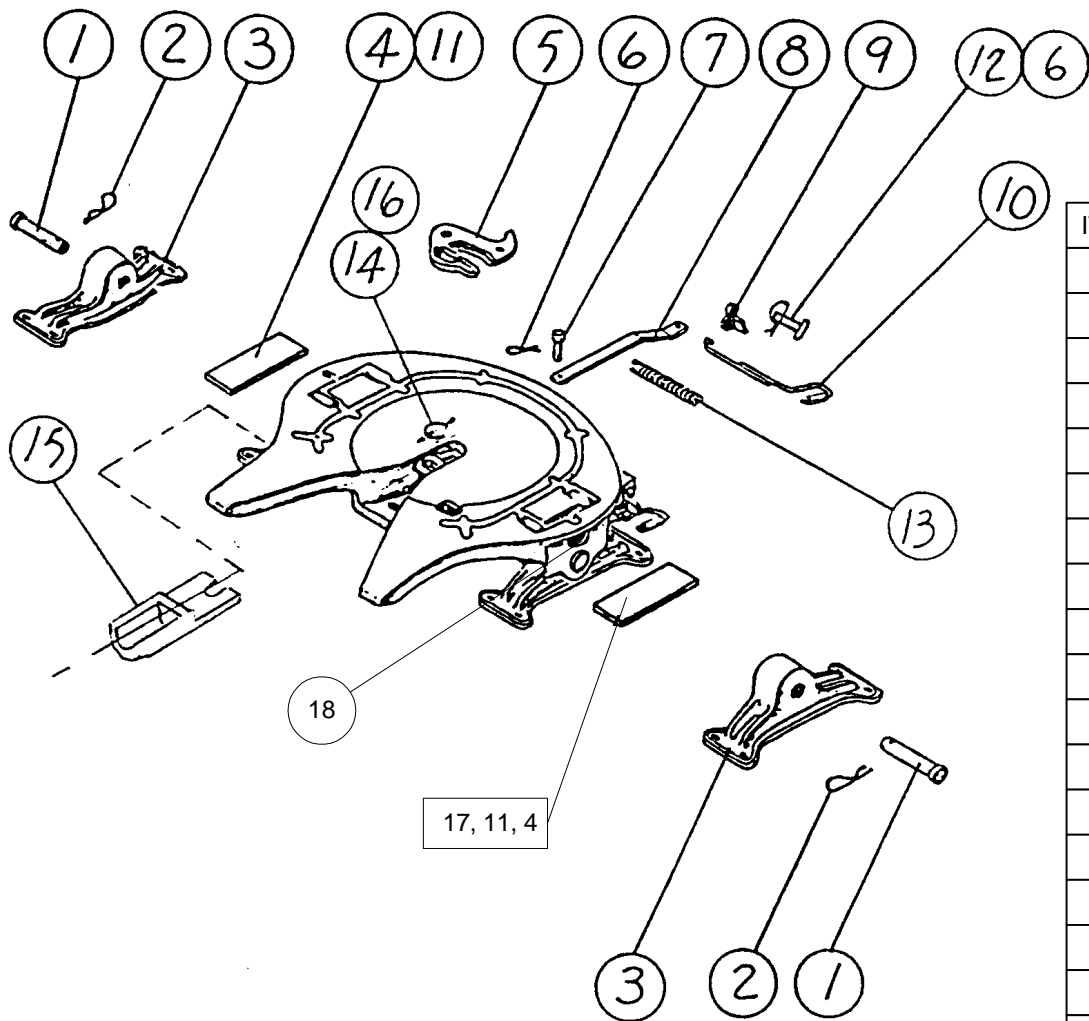
ITEM	QTY.	PART NO.	DESCRIPTION
1	4	600427	WELD BAR
2	1	659750	SERVICE BEAM, TAPERED

SERVICE BEAM, TAPERED SPINDLE

KWIK LOC

8

SIZE	FSCM NO	DWG NO	REV
		659750	
SCALE	1 : 1	SHEET	1 OF 1



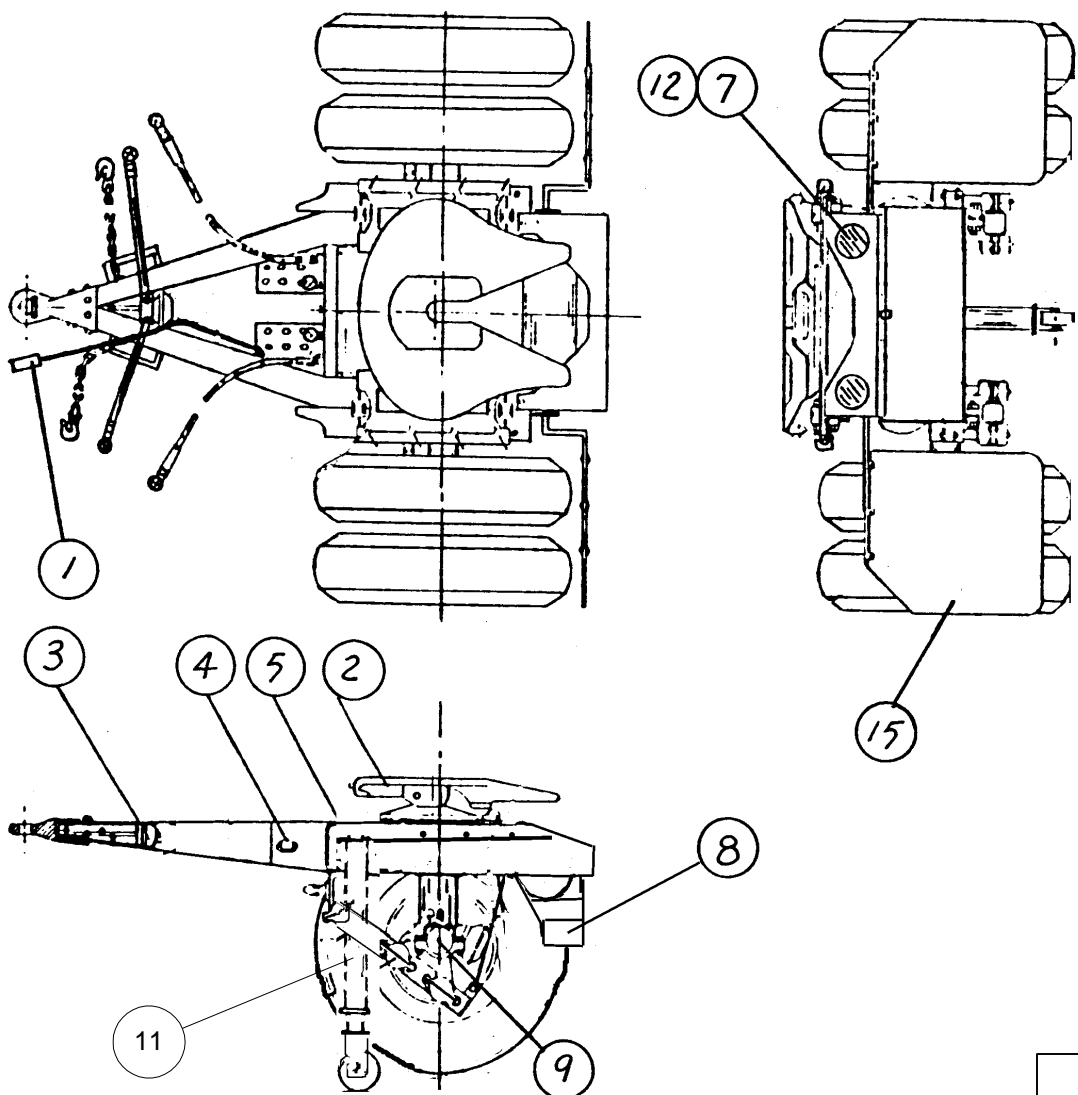
ITEM	QTY.	PART NO.	DESCRIPTION
18	2	659942	POLY BRACKET SHOE
17	2	659503	POLY PAD 41-1-00111
16	1	659447	COTTER PIN 84232
15	1	659476	LOCK 41-4-09931
14	1	659475	PIN, JAW 41-3-09916
13	1	659474	LOCK SPRING 12-1-00706
12	1	659473	LATCH PIN 54-1-00711
11	2	659470	RUBBER PAD, OVER SIZE
10	1	659453	HANDLE KIT 40-1-00218
9	1	658439	LATCH 41-1-01250
8	1	659466	BAR, LEVER 41-3-0712
7	1	659465	PIN, LEVER BAR 54-1-00766
6	1	659464	COTTER 84261
5	1	659463	JAW, L.H.
4	2	659454	RUBBER PAD STD. 41-1-00707
3	2	658428	BRACKET 41-4-09839
2	2	659462	COTTER 99-0-00169
1	2	658440	PIVOT PIN 54-1-00705

SIMPLEX 5TH WHEEL

KWIK LOC

9

SIZE	FSCM NO	DWG NO	REV
		612617	
SCALE	1 : 1	SHEET	1 OF 1



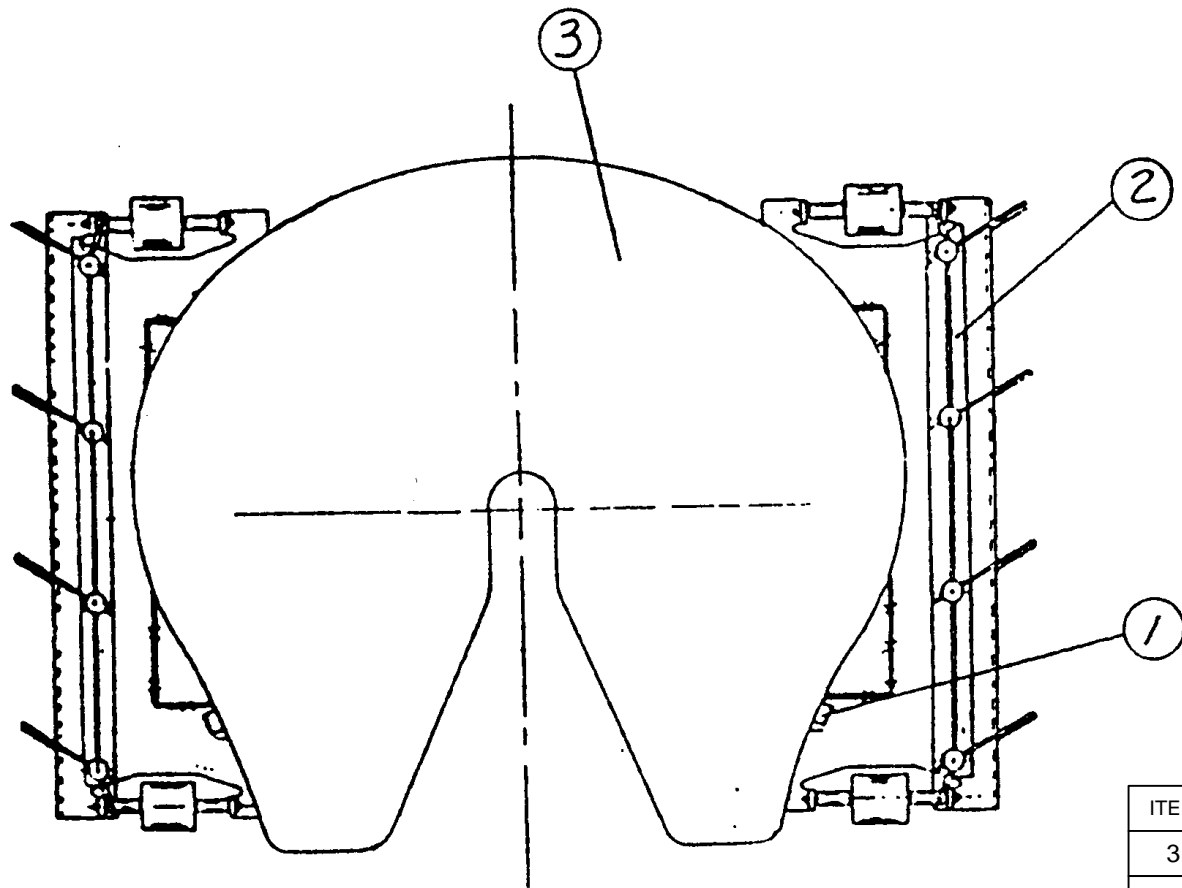
ITEM	QTY.	PART NO.	DESCRIPTION
12	4	612117	LITE GROMMET
11	1	659646	CRANK LEG
10	1	658157	SUSPENSION
9	1	658287	AXLE
8	1	659931	COUNTER WEIGHT
7	4	611317	TAIL LITE, SUPER 40
6	1	658267	PLUMBING
5	1	658137	FRAME
4	1	65829	WIRE HARNESS
3	1	659885	EYE KIT
2	1	657917	5TH WHEEL ASSM.
1	1	512113	LITE CORD

ROADWAY 7000 SERIES DOLLIE ASSM.

KWIK LOC

10

SIZE	FSCM NO	DWG NO	REV
		658307	
SCALE	1 : 1	SHEET	1 OF 1



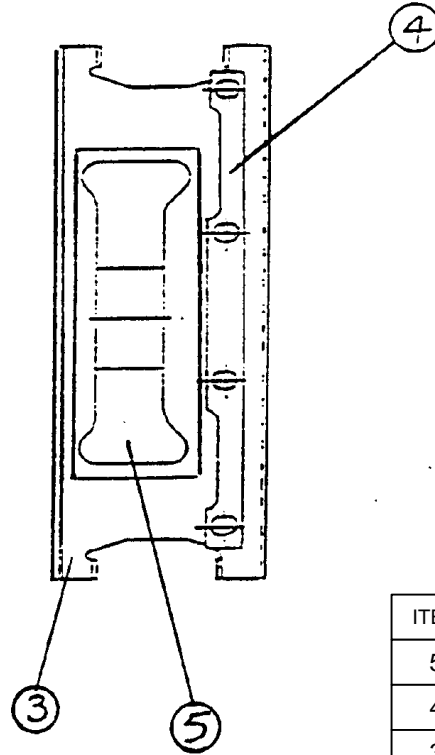
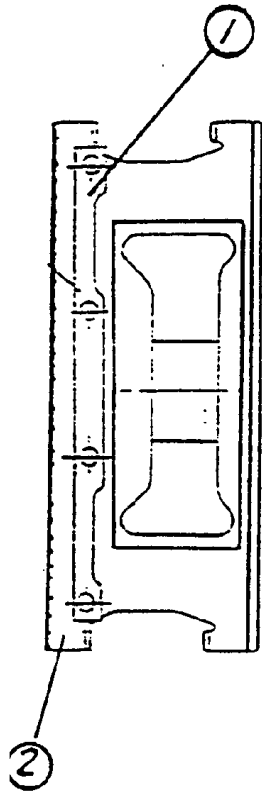
ITEM	QTY.	PART NO.	DESCRIPTION
3	1	659710	SIMPLEX 5TH WHEEL
2	1	657927	SLIDE PLATE ASSY, COMPLETE
1	2	655917	STOP

5TH WHEEL ASSM. TRACTOR AND DOLLIE

KWIK LOC

11

SIZE	FSCM NO	DWG NO	REV
		659726	
SCALE	1 : 1	SHEET	1 OF 1



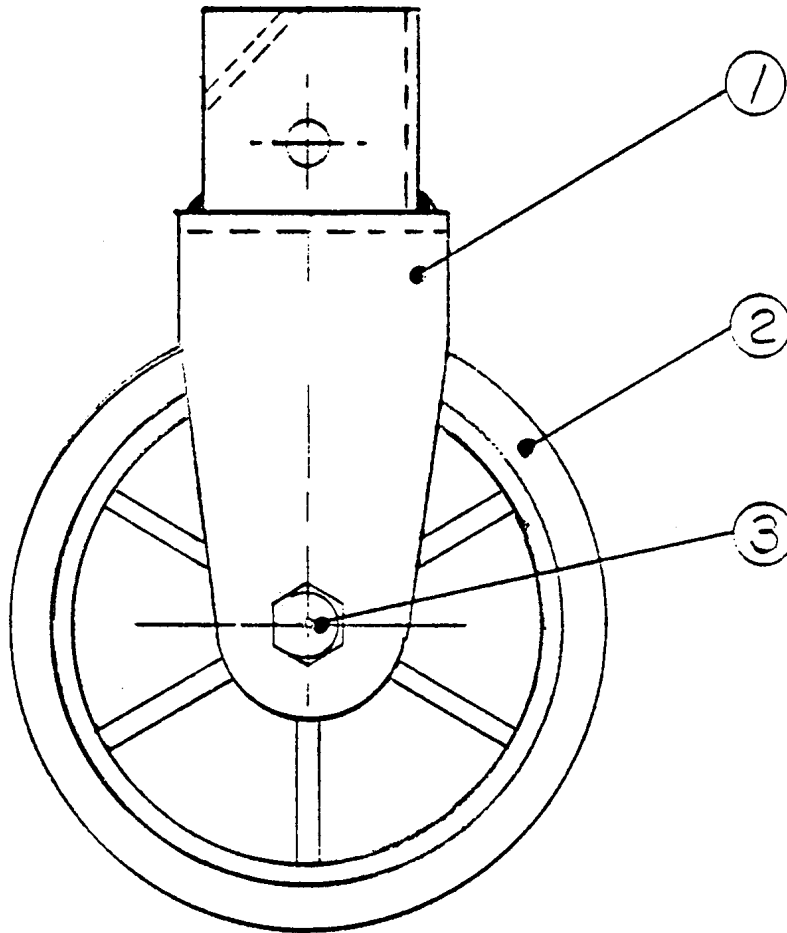
ITEM	QTY.	PART NO.	DESCRIPTION
5	2	659708	BRACKET
4	1	657567	ADD ON STRIP, SLOT
3	1	606917	SLIDE PLATE, SLOT
2	1	606817	SLIDE PLATE, ROUND
1	1	657577	ADD ON STRIP, ROUND

SLIDE PLATE ASSEMBLY, WITH BRACKETS
TRACTOR AND DOLLY

KWIK LOC

12

SIZE	FSCM NO	DWG NO	REV
		659446	
SCALE	1 : 1	SHEET	1 OF 1



USED ON FOLD UP LEGS
ONLY

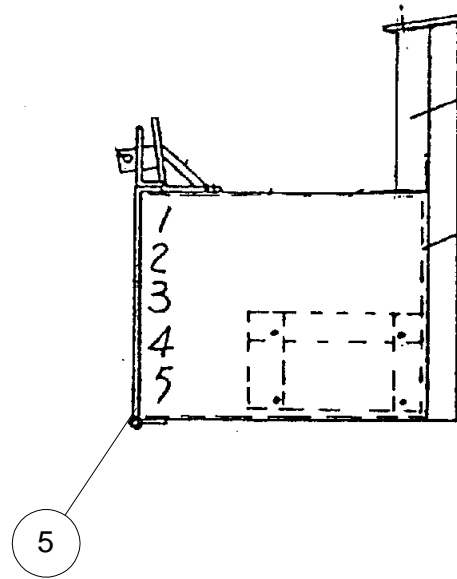
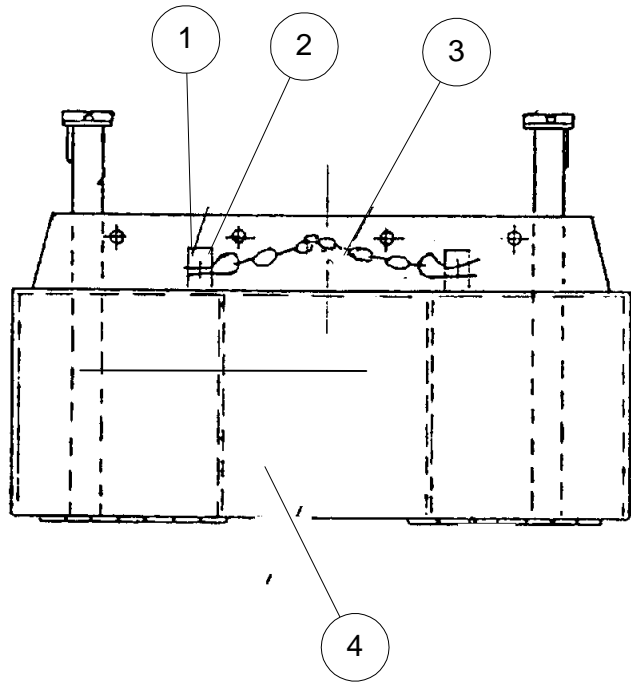
ITEM	QTY.	PART NO.	DESCRIPTION
3	1	659531	AXLE / NUT
2	1	658371	WHEEL
1	1	659552	YOKE ASSEMBLY

6" WHEEL ASSEMBLY

KWIK LOC

13

SIZE	FSCM NO	DWG NO	REV
		659559	
SCALE	1 : 1	SHEET	1 OF 1



ITEM	QTY.	PART NO.	DESCRIPTION
5	2	658387	HINGE
4	1	650037	LID ASSM. COMPLETE
3	2	623317	CHAIN & CLIP ASSM.
2	2	658643	TAB
1	2	658340	HASP

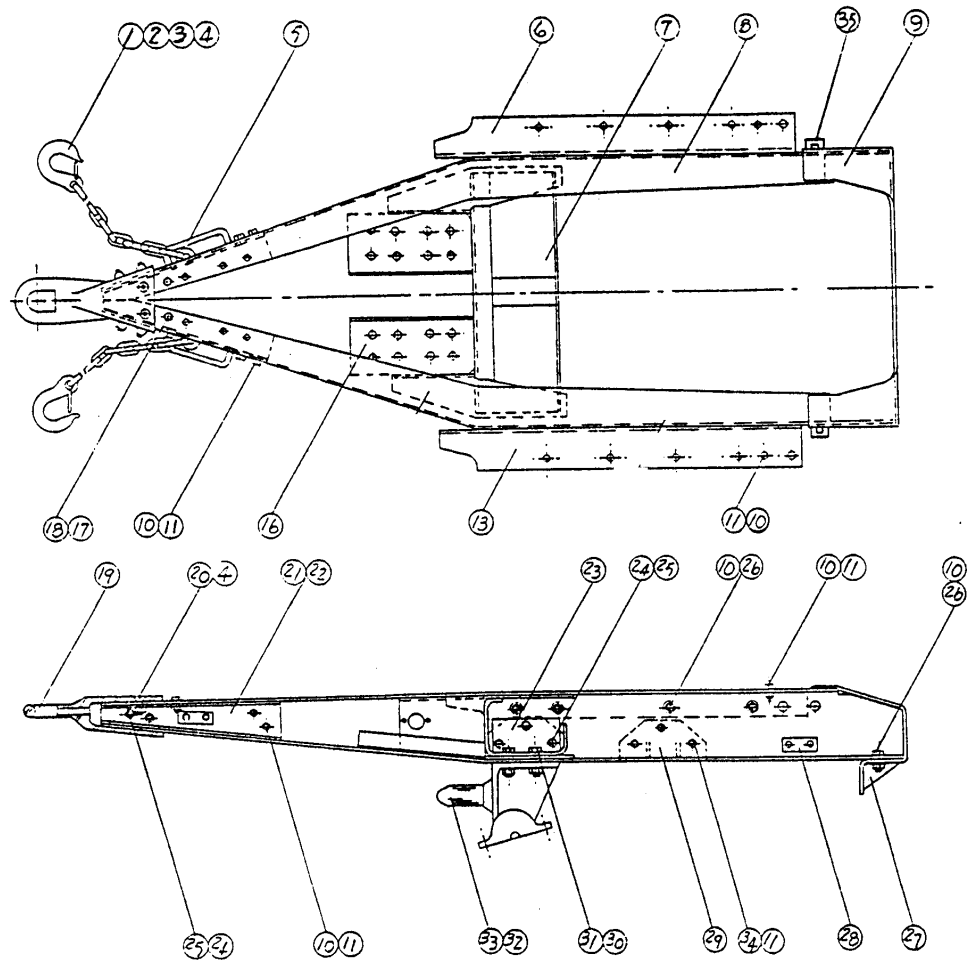
CHAIN BOX ASSEMBLY

KWIK LOC

SIZE	FSCM NO	DWG NO 650007	REV
SCALE	1 : 1	SHEET	1 OF 1

14

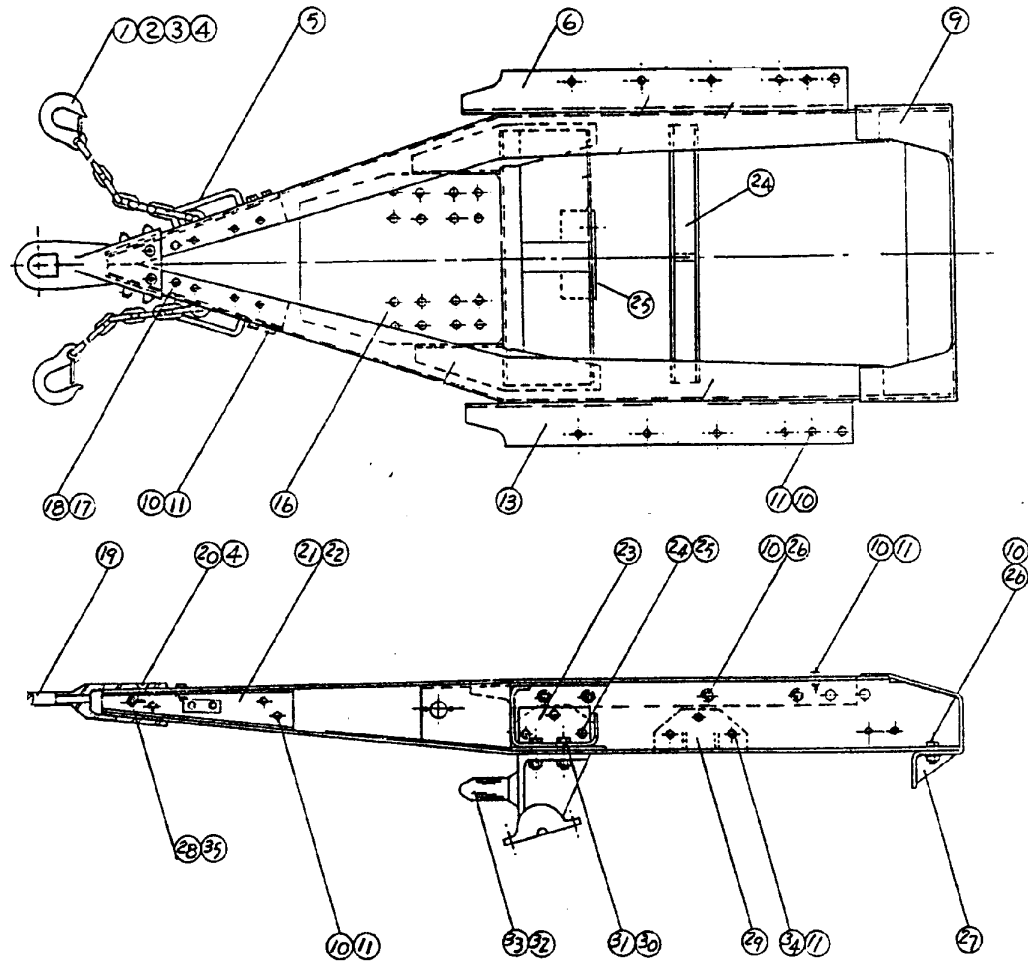
ITEM	QTY.	PART NO.	DESCRIPTION
35	2	612317	BRACKET, MUDFLAP
34	6	85811-28	5/8-11 X 13/4 BOLT GR.8
33	1	600227	FWD. HANGER, RH
32	1	600127	FWD. HANGER, LH
31	16	83410-01	3/4 FLANGE LOCKNUT GR.8
30	4	83410-36	3/4-10 X 2 1/4 BOLT GR.8
29	2	608017	BRACKET, RUBBER RIDE
28	2	475277	BACK UP PLT. MUDFLAP
27	2	471297	GUSSET
26	28	85811-05	5/8-11 FLANGE LOCK NUT GR.8
25			SEE #31
24	10	83410-32	3/4-10 X 2" BOLT GR.8
23	2	523917	BACK UP PLT FWD. HANGER
22	1	313117	SLEEVE, RH
21	1	310717	SLEEVE, LH
20	2	85811-28	5/8-11 X 13/4" BOLT GR.8
19	1	525027	74" ADJ. EYE
18	2	81213-04	1/2-13 STOVER LOCKNUT GR.5
17	2	81213-20	1/2-13 X 1 1/4 BOLT GR.8
16	2	657787	BASKET, HALF
13	1	501717	SLIDE RAIL, LH
11			SEE #26
10	16	85811-24	5/8-11 X 1 1/2" BOLT GR.8
9	1	654917	REAR CROSSMEMBER 7000
6	1	501617	SLIDE RAIL, RH
5	2	650017	HANDLE, LIFT
4			SEE #26
3	2	616217	BACK UP PLT. U-BOLT
2	2	537317	U- BOLT
1	2	615857	SAFETY CHAIN



15

MAIN FRAME ASSM. ROADWAY			
KWIK LOC			
SIZE	FSCM NO	DWG NO	REV
		658137	
SCALE	1 : 1	SHEET	1 OF 1

ITEM	QTY.	PART NO.	DESCRIPTION
35	2	612317	BRACKET, MUDFLAP
34	6	85811-28	5/8-11 X 13/4 BOLT GR.8
33	1	600227	FWD. HANGER, RH
32	1	600127	FWD. HANGER, LH
31	16	83410-01	3/4 FLANGE LOCKNUT GR.8
30	4	83410-36	3/4-10 X 2 1/4 BOLT GR.8
29	2	608017	BRACKET, RUBBER RIDE
28	4	83410-40	3/4-10 X 2 1/4 BOLT GR8
27	2	471297	GUSSET
26	28	85811-05	5/8-11 FLANGE LOCK NUT GR.8
25	1	659583	BACK UP PLATE
24	1	659640	SUPPORT CHANNEL ASSM.
23	2	523917	BACK UP PLT FWD. HANGER
22	1	313117	SLEEVE, RH
21	1	310717	SLEEVE, LH
20	2	85811-28	5/8-11 X 13/4" BOLT GR.8
19	1	525027	74" ADJ. EYE
18	2	81213-04	1/2-13 STOVER LOCKNUT GR.5
17	2	81213-20	1/2-13 X 11/4 BOLT GR.8
16	2	659659	BASKET
13	1	501717	SLIDE RAIL, LH
11			SEE #26
10	16	85811-24	5/8-11 X 1 1/2" BOLT GR.8
9	1	654917	REAR CROSSMEMBER 7000
6	1	501617	SLIDE RAIL, RH
5	2	650017	HANDLE, LIFT
4			SEE #26
3	2	616217	BACK UP PLT. U-BOLT
2	2	537317	U- BOLT
1	2	615857	SAFETY CHAIN

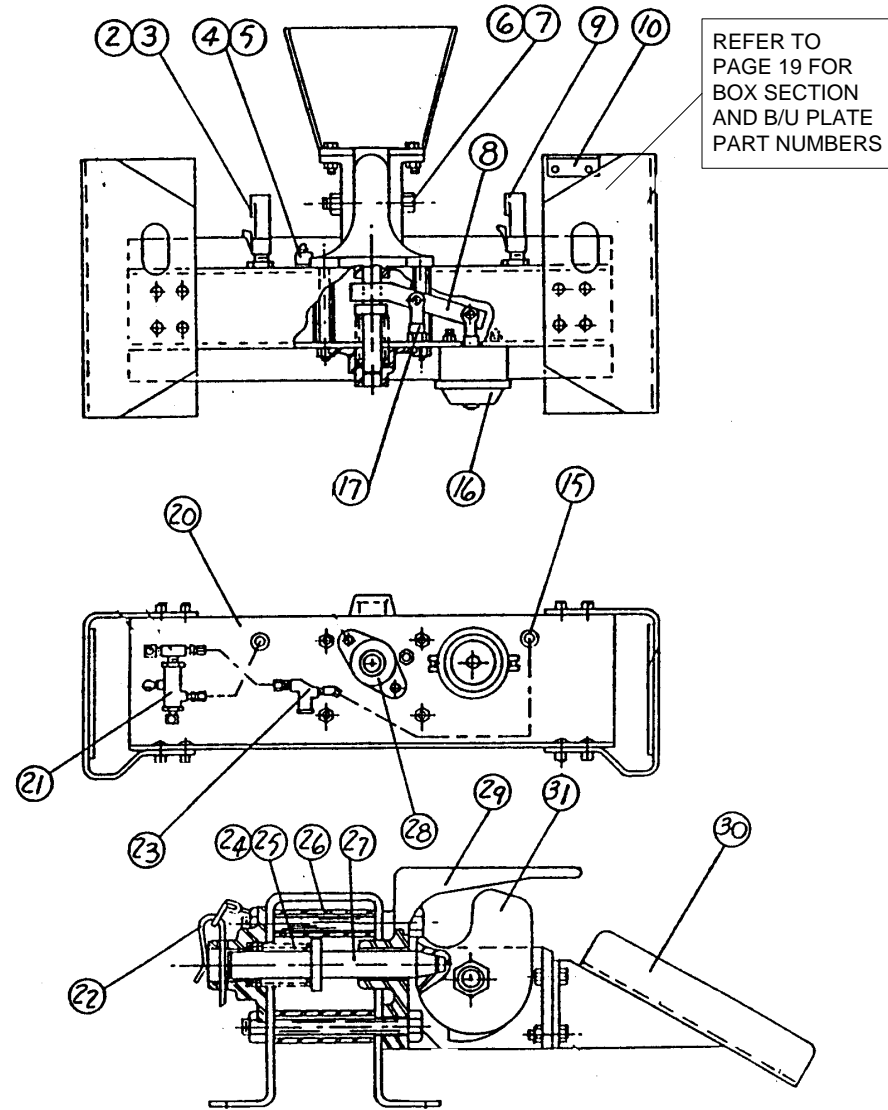


16

FRAME ASSEMBLY, FIXED LEG			
KWIK LOC			
SIZE	FSCM NO	DWG NO	REV
		659756	
SCALE	1 : 1	SHEET	1 OF 1

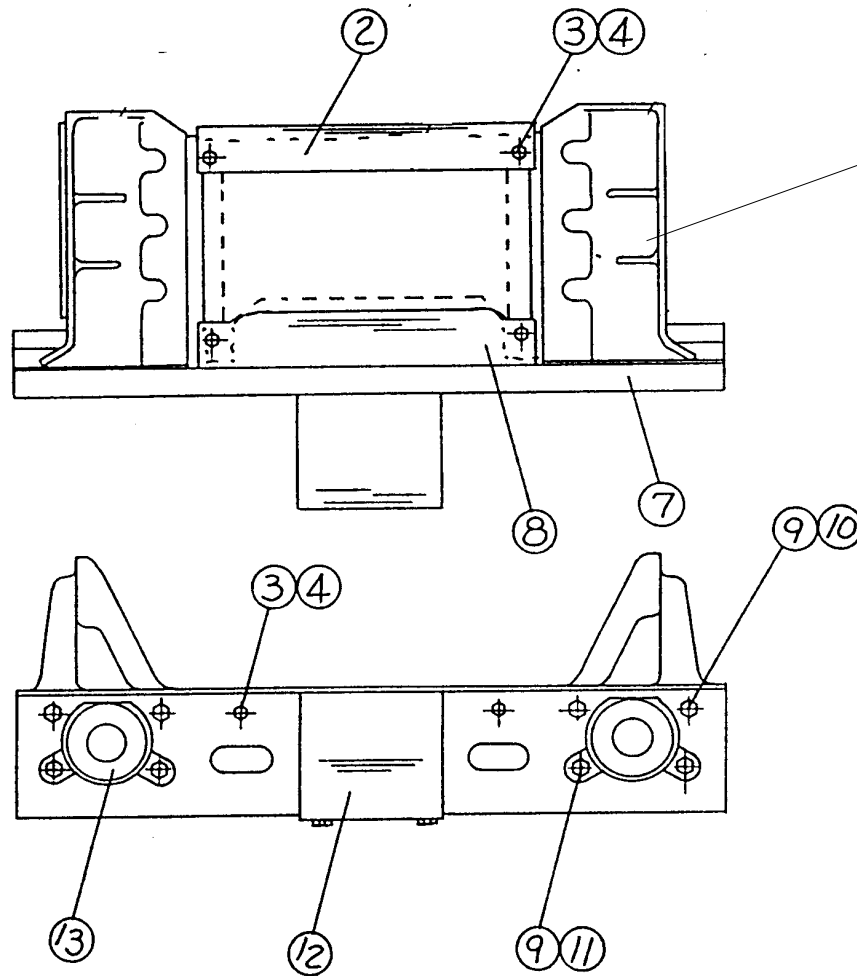
FOR SPECIFIC BOX SECTION AND REINFORCEMENT PLATE REQUIREMENTS PLEASE REFER TO CHART ON PAGE 19

ITEM	QTY.	PART NO.	DESCRIPTION
31	1	624427	PINTLE HOOK
30	1	657457	RAMP ASSM.
29	1	800000	HITCH
28	1	602417	LOCK DEVICE
27	1	618057	PLUNGER
26	4	605117	SPACER
25	1	305817	SPRING, OUTSIDE
24	1	306617	SPRING, INSIDE
23	1	521517	PROTECTION VALVE
22	1	473907	CHAIN & CHAIN
21	1	621117	RELAY VALVE SS-1
20	1	608317	CROSSMEMBER, BEAM ONLY
17	1	622257	CLEVIS
16	1	604917	AIR CHAMBER
15	2	612917	GROMMET
10	1	602017	BRACKET, RECEPTACLE
9	1	658377	GLADHAND, EMERGENCY
8	1	605057	RETRACTOR ASSM.
7	1	81008-04	1" STOVER LOCKNUT GR.5
6	1	601217	1" BOLT GR.5
5	1	643417	GREASE ZERK, BUTTON HEAD
3	1	658376	GLADHAND, SERVICE
2	2	508517	TERMINAL BOLT, LARGE



17

FORWARD CROSSMEMBER			
KWIK LOC			
SIZE	FSCM NO	DWG NO	REV
SCALE	1 : 1	SHEET	1 OF 1



FOR SPECIFIC
ENTRY CASTING
AND SPACER
PLATE
REQUIREMENTS
SEE CHART ON
PAGE 19

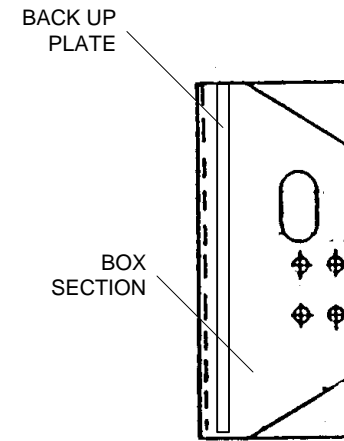
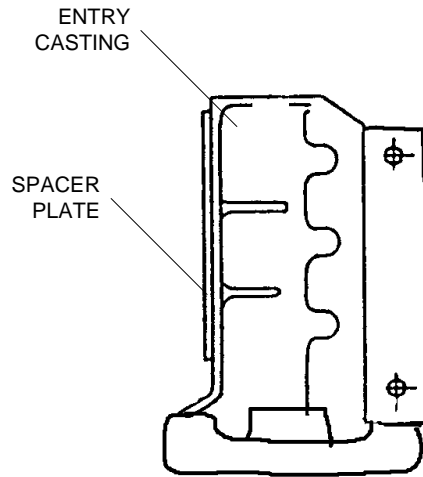
ITEM	QTY.	PART NO.	DESCRIPTION
13	2	522717	DOG HOUSING
12	1	616017	RAMP
11	4	85811-28	5/8-11 X 13/4 BOLT GR.8
10	4	85811-32	5/8-11 X 32 BOLT GR.8
9	8	85811-04	5/8-11 FLANGE LOCKNUT GR.8
8	1	527117	SUPPORT ANGLE, REAR
7	1	522617	CROSSMEMBER, BEAM ONLY
4	10	81213-20	1/2-13 X 11/4 BOLT GR.8
3	10	81213-04	1/2-13 LOCKNUT GR.8
2	1	526117	SUPPORT ANGLE, FWD

REAR CROSSMEMBER

KWIK LOC

18

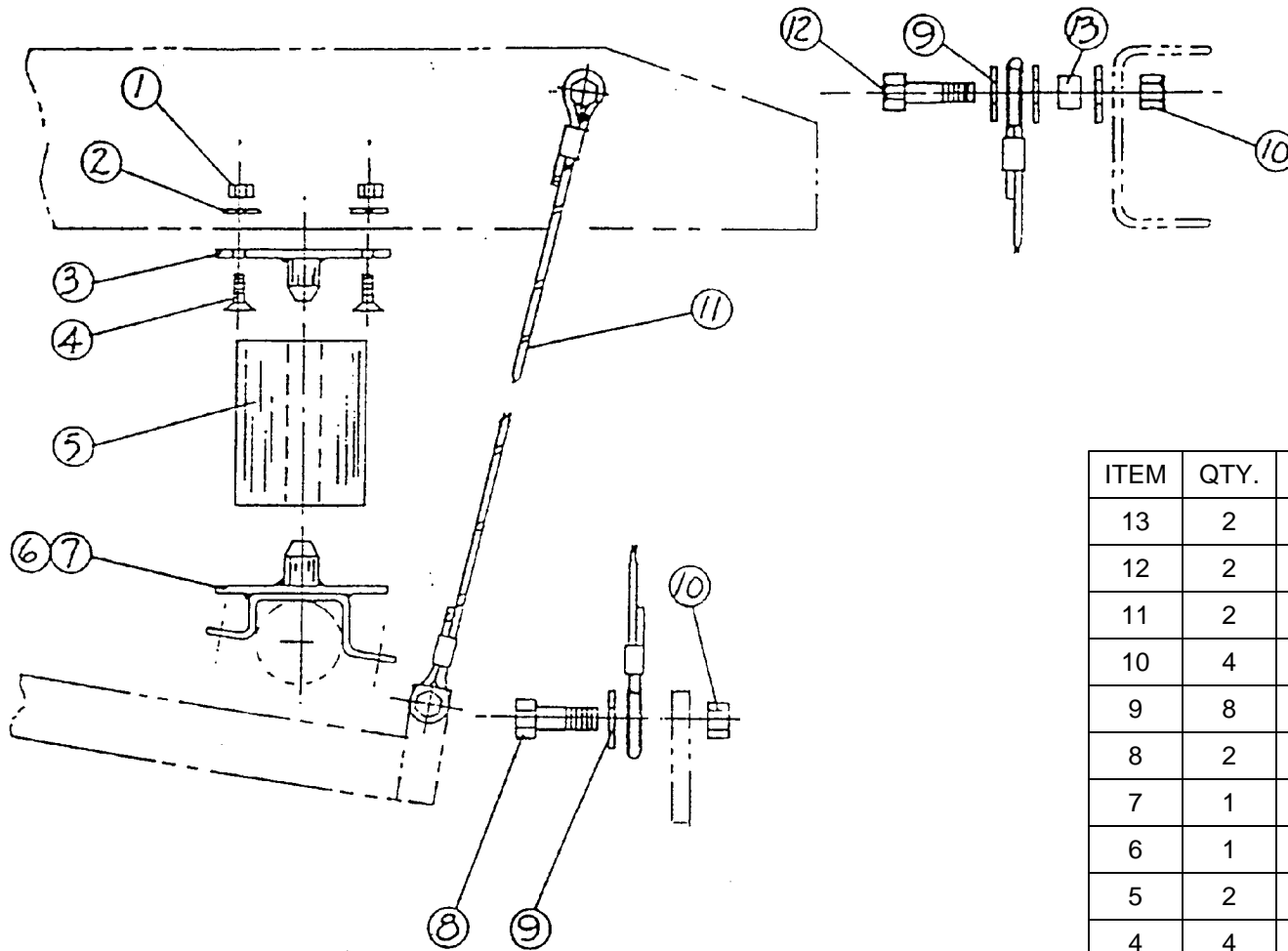
SIZE	FSCM NO	DWG NO	REV
SCALE	1 : 1	SHEET	1 OF 1



TRACTOR	YEAR	BOX SECTION		BACK UP PLATE	ENTRY CASTING		SPACER PLATE
		RH	LH		RH	LH	
FREIGHT LINER		658325	658324	659660	659805	659804	NONE
MACK	CH-MODEL	658434	658433	658429	658431	658430	658432
MACK	R-MODEL	628127	628117	658257	658431	658430	NONE
VOLVO	PRE 1998	627627	627617	631317	631627	631527	630017
VOLVO	1998	659978	659977	631317	631627	631527	NONE
BLANK	ALL	627627	627617		522527	522427	

19

ENTRY CASTING AND BOX SECTION I.D			
KWIK LOC			
SIZE	FSCM NO	DWG NO	REV
SCALE	1 : 1	SHEET	1 OF 1



ITEM	QTY.	PART NO.	DESCRIPTION
13	2	658017	SPACER
12	2	81008-56	1"-8 X 31/2 BOLT GR.5
11	2	616357	SAFETY CABLE
10	4	81008-04	1"-8 STOVER LOCKNUT
9	8	81000-02	1" SAE FLAT WASHER
8	2	81008-40	1"-8 X 21/2 BOLT GR.5
7	1	658007	BOTTOM PLATE ASSM, RH
6	1	657997	BOTTOM PLATE ASSM, LH
5	2	657617	MARSH-MELLOW
4	4	81213-08	1/2-13 X 11/2 FLAT HD BOLT
3	2	657987	TOP PLATE ASSM.
2	4	81200-03	1/2 SPLIT LOCK WASHER
1	4	81213-01	1/2-13 STOVER LOCK NUT

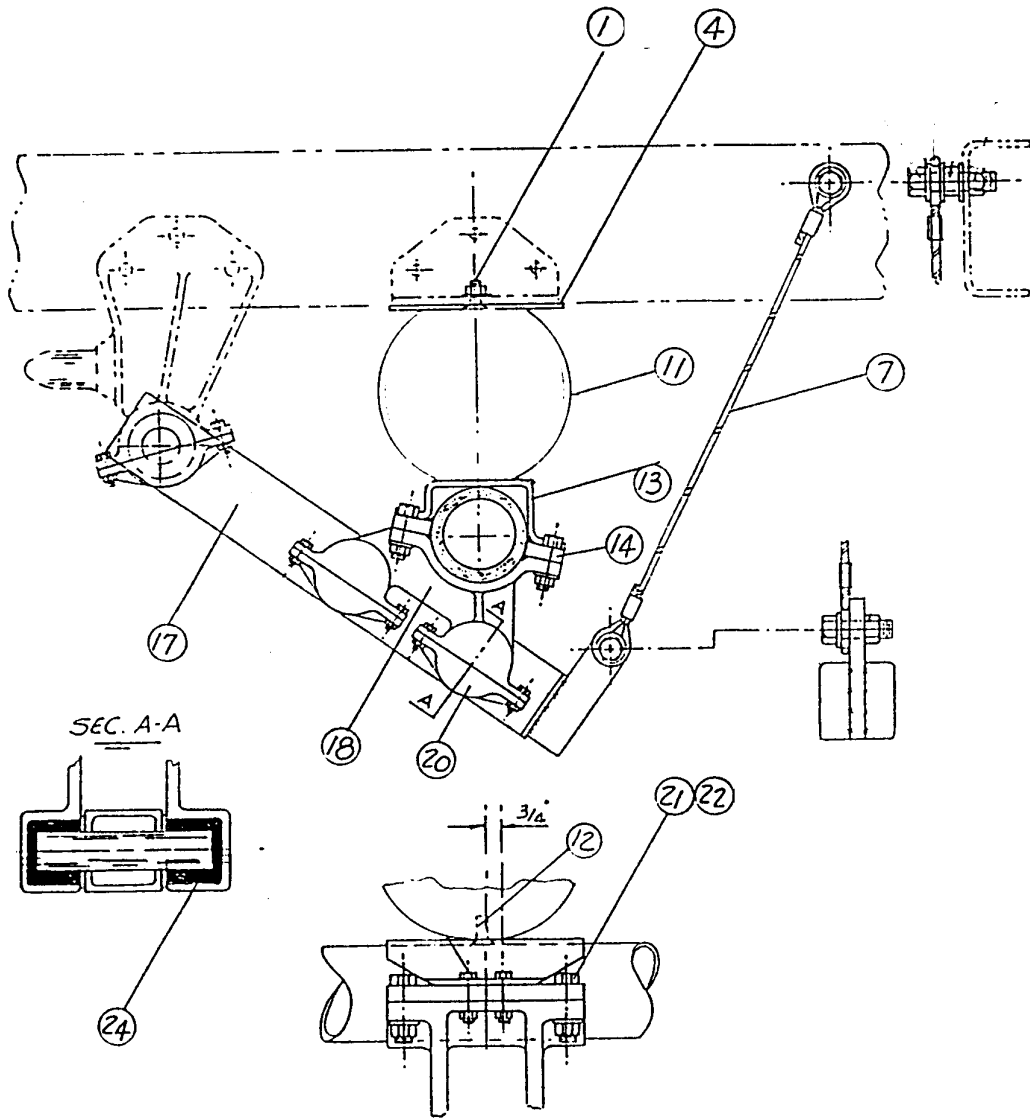
FOR CHANGEOVER FROM 6000 SERIES TO 7000

20

MARSH-MELLOW CHANGE OVER KIT

KWIK LOC

SIZE	FSCM NO	DWG NO	REV
		658027	
SCALE	1 : 1	SHEET	1 OF 1



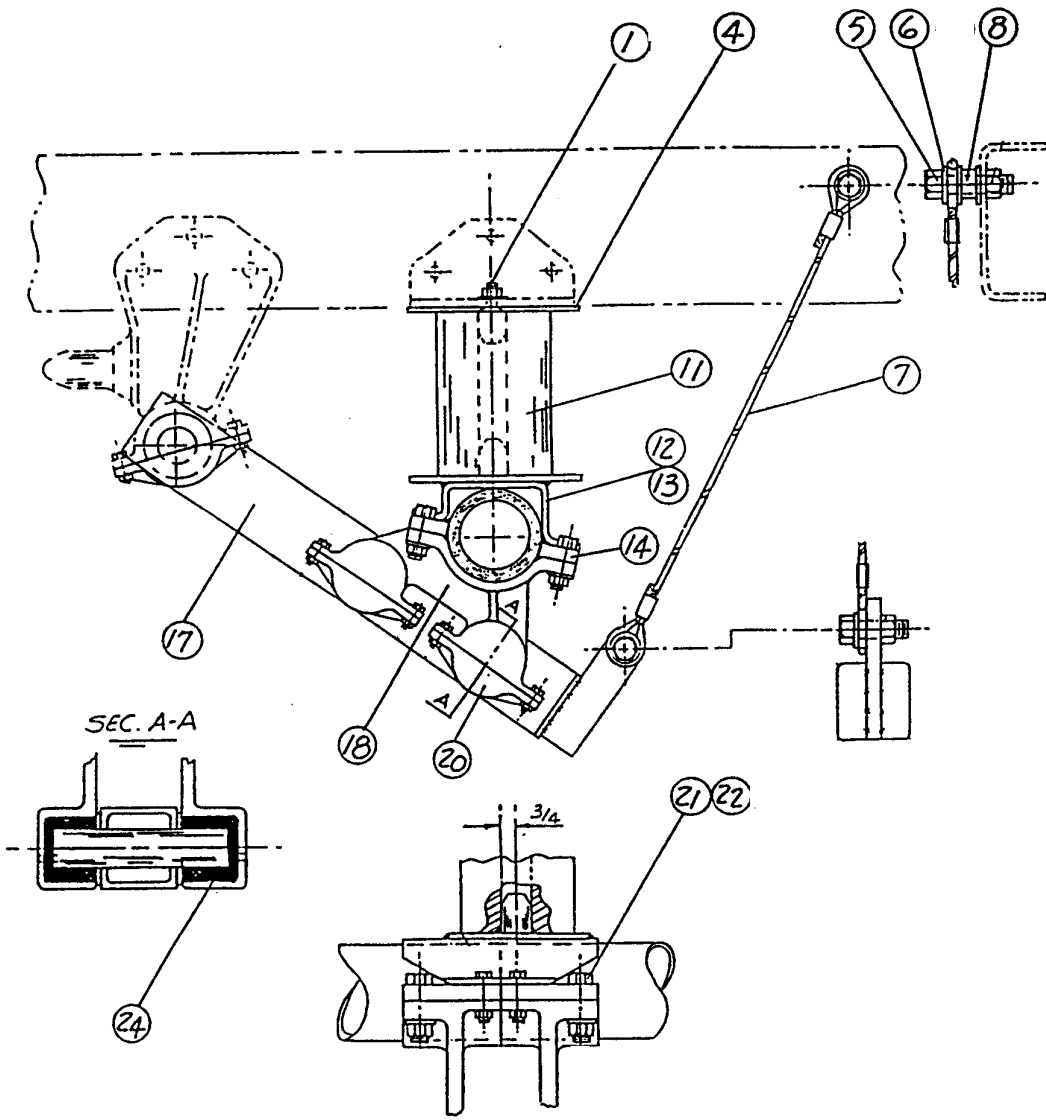
ITEM	QTY.	PART NO.	DESCRIPTION
24	12	657017	BUSHING
22	8	87809-11	7/8-9 LOCK NUT GR.8
21	8	87809-44	7/8-9 X 23/4 BOLT GR.5
20	12	528817	CAP
18	2	605527	AXLE HANGER
17	2	600957	TRAILING ARM
14	4	600427	WELDMENT BAR
13	2	600317	HAT SECTION
12	4	81220-08	1/2-20 X 3/4 FLAT HD BOLT
11	2	OBSOLETE	LASTOSPHERE
8	2	658017	SPACER
7	2	616357	SAFETY CABLE
4	2	513617	TOP PLATE
1	4	617517	1/2-20 X 21/4 L STUD

LASTOSPHERE SUSPENSION

KWIK LOC

21

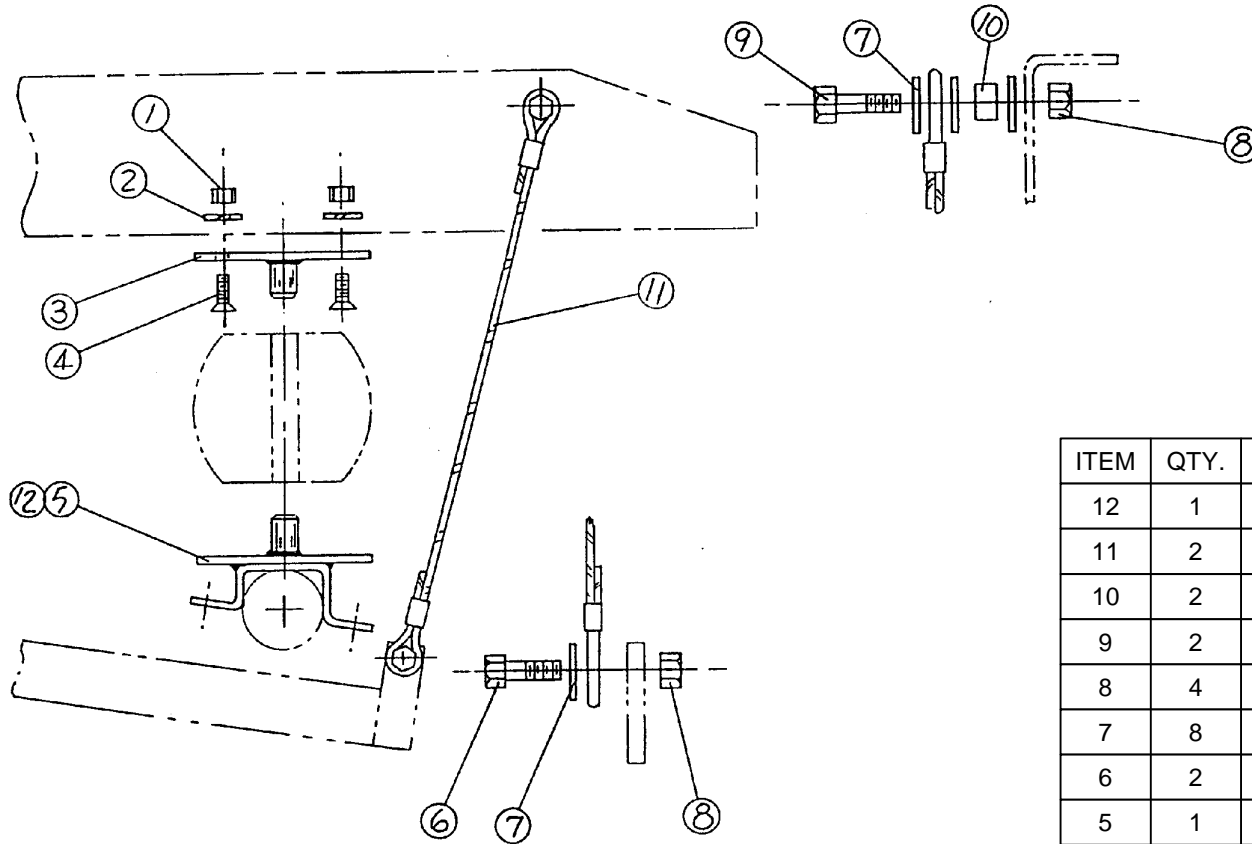
SIZE	FSCM NO	DWG NO 606257	REV
SCALE	1 : 1	SHEET	1 OF 1



ITEM	QTY.	PART NO.	DESCRIPTION
24	12	657017	BUSHING
22	8	87809-11	7/8-9 LOCKNUT GR.8
21	8	87809-44	7/8-9 X 23/4 BOLT GR.8
20	12	528817	CAP
18	2	605527	AXLE HANGER
17	2	600957	TRAILING ARM
14	4	600427	WELDMENT BAR
13	1	658007	BOTTOM PLATE ASSM. RH
12	1	657997	BOTTOM PLATE ASSM. LH
11	2	657617	MARSH-MELLOW
8	2	658017	SPACER
7	2	616357	SAFETY CABLE
6	8	81000-02	1" FLAT WASHER, SAE
5	2	81008-56	1-8 X 31/2" BOLT GR.5
4	2	657987	TOP PLATE ASSM.
1	4	81213-08	1/2-13 X 11/2 FLT. HEAD BOLT

MARSH-MELLOW SUSPENSION			
KWIK LOC			
SIZE	FSCM NO	DWG NO	REV
		658157	
SCALE	1 : 1	SHEET	1 OF 1

22



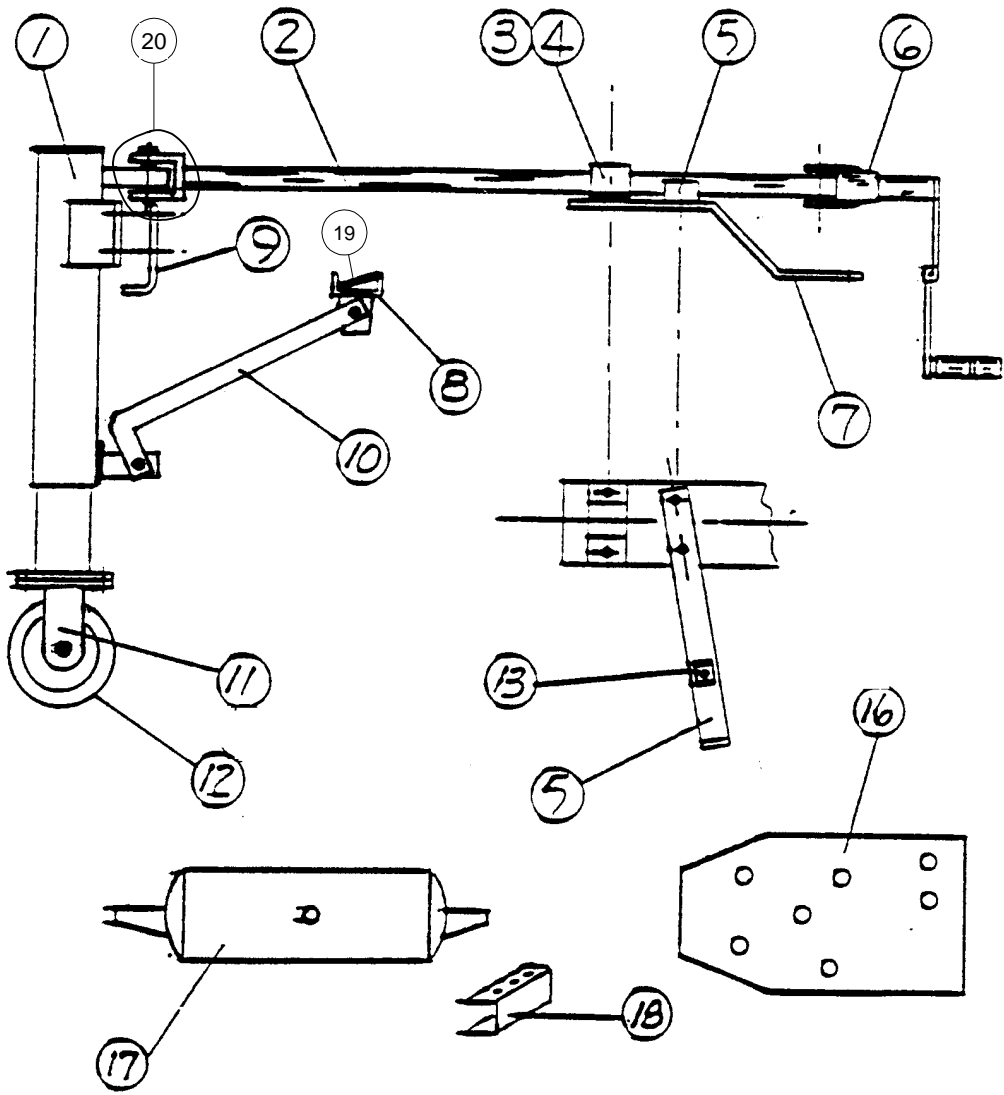
ITEM	QTY.	PART NO.	DESCRIPTION
12	1	658442	BOTTOM PLATE ASSM. RH
11	2	616357	SAFETY CABLE
10	2	658017	SPACER
9	2	81008-56	1-8 X 31/2 BOLT GR.5
8	4	81008-04	1-8 LOCK NUT
7	8	81000-02	1" SAE FLAT WASHER
6	2	81008-40	1-8 X 21/2 BOLT GR.5
5	1	658441	BOTTOM PLATE ASSM. LH
4	4	81213-08	1/2-13 X 11/2 BOLT GR.5
3	2	658443	TOP PLATE ASSM.
2	4	81200-03	1/2 SPLIT LOCK WASHER
1	4	81213-01	1/2-13 STOVER LOCK NUT

RETROFIT PLATES, LASTO.

KWIK LOC

23

SIZE	FSCM NO	DWG NO 659471	REV
SCALE	1 : 1	SHEET	1 OF 1



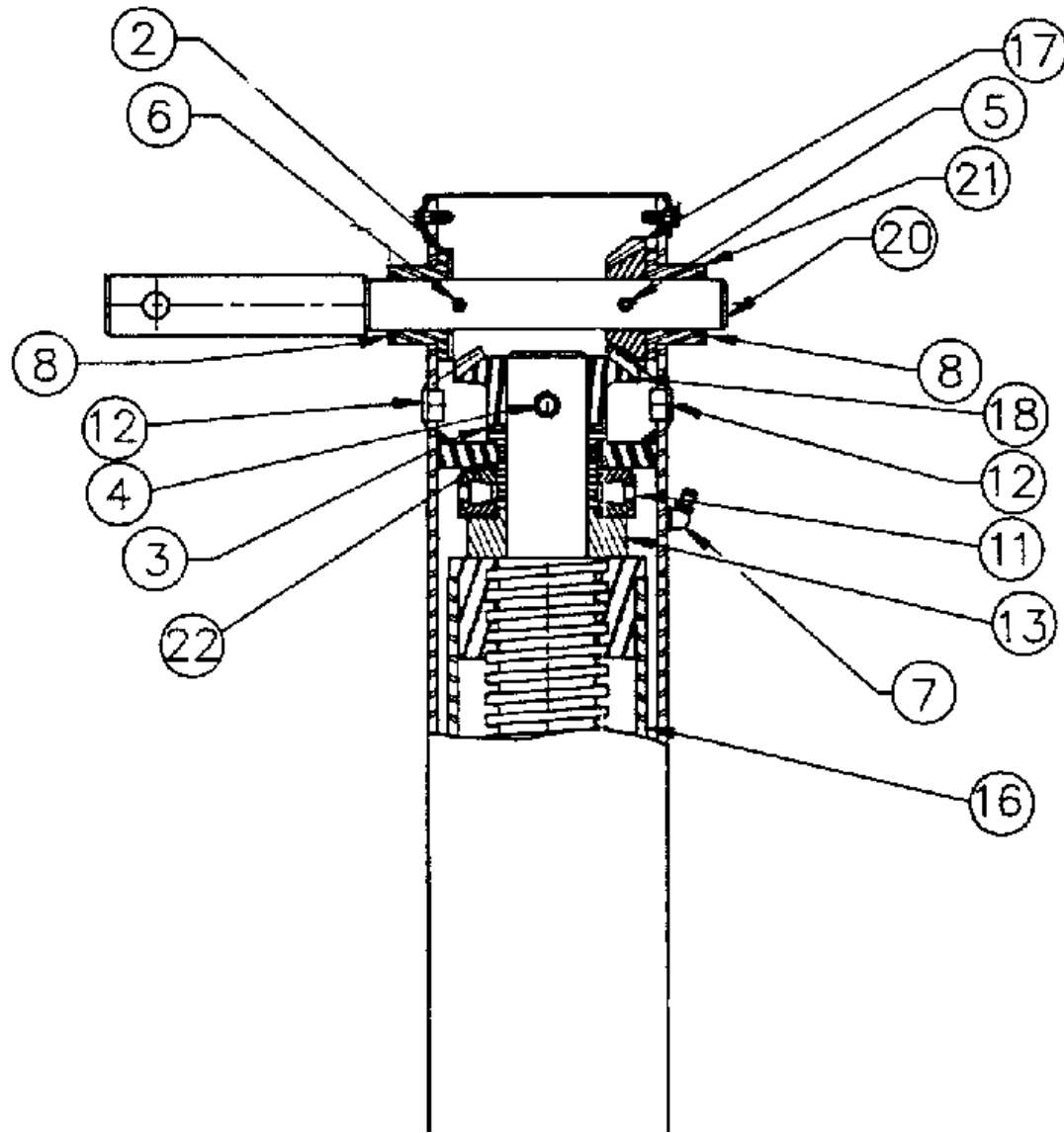
ITEM	QTY.	PART NO.	DESCRIPTION
20	1	659900	FLEX JOINT KIT
19	1	658342	GUSSET, SUPPORT CHANNEL
18	2	659620	BRACKET, AIR TANK
17	1	659590	AIR TANK, TOP DRAIN
16	1	659659	BASKET
14	1	659881	8" WHEEL ASSM.
13	1	659631	CLIP, HANDLE RETAINER
12	1	659628	WHEEL
11	1	659887	8" WHEEL BRACKET
10	1	659879	SUPPORT BRACE
9	1	659583	FLANGE SUPPORT BRACKET
8	1	659877	SUPPORT CHANNEL ASSM.
7	1	659610	CRANK SUPPORT BRACKET
6	1	659634	HANDLE ASSM.
5	1	659609	RETAINER, HANDLE
4	1	659629	WEAR STRIP
3	1	659630	RETAINER, CRANK SHAFT
2	1	659878	CRANK SHAFT
1	1	659646	CRANK LEG ASSM.

FIXED LEG, ASSM.

KWIK LOC

24

SIZE	FSCM NO	DWG NO	REV
		659645	
SCALE	1 : 1	SHEET	1 OF 1



ITEM	QTY.	PART NO.	DESCRIPTION
22	1	659785	BUSHING, BASE
21	2	659784	BUSHING, PINION SHAFT
20	1	659702	SHAFT, PINION
18	1	659781	BEVEL GEAR
17	1	659780	PINION GEAR
16	1	659779	ASSM. LOWER LEG
15	1	659778	COVER
13	1	659777	COLLAR
11	1	659775	BEARING
8	2	659774	SEAL
6	1	659772	ROLL PIN 3/16
5	1	659771	GROOVE PIN
4	1	659770	ROLL PIN 5/16
3	1	659769	WASHER
2	1	659768	WASHER

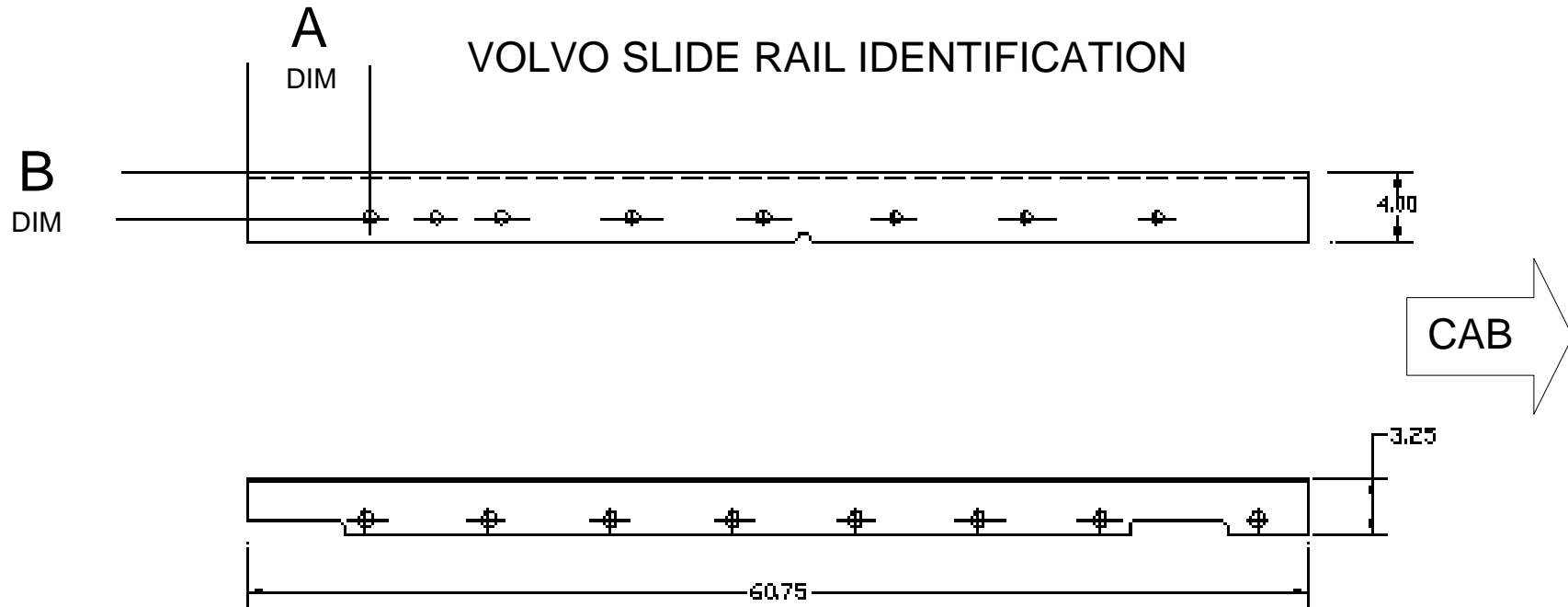
CRANK LEG, BREAKDOWN

KWIK LOC

25

SIZE	FSCM NO	DWG NO	REV
		659646	
SCALE	1 : 1	SHEET	1 OF 1

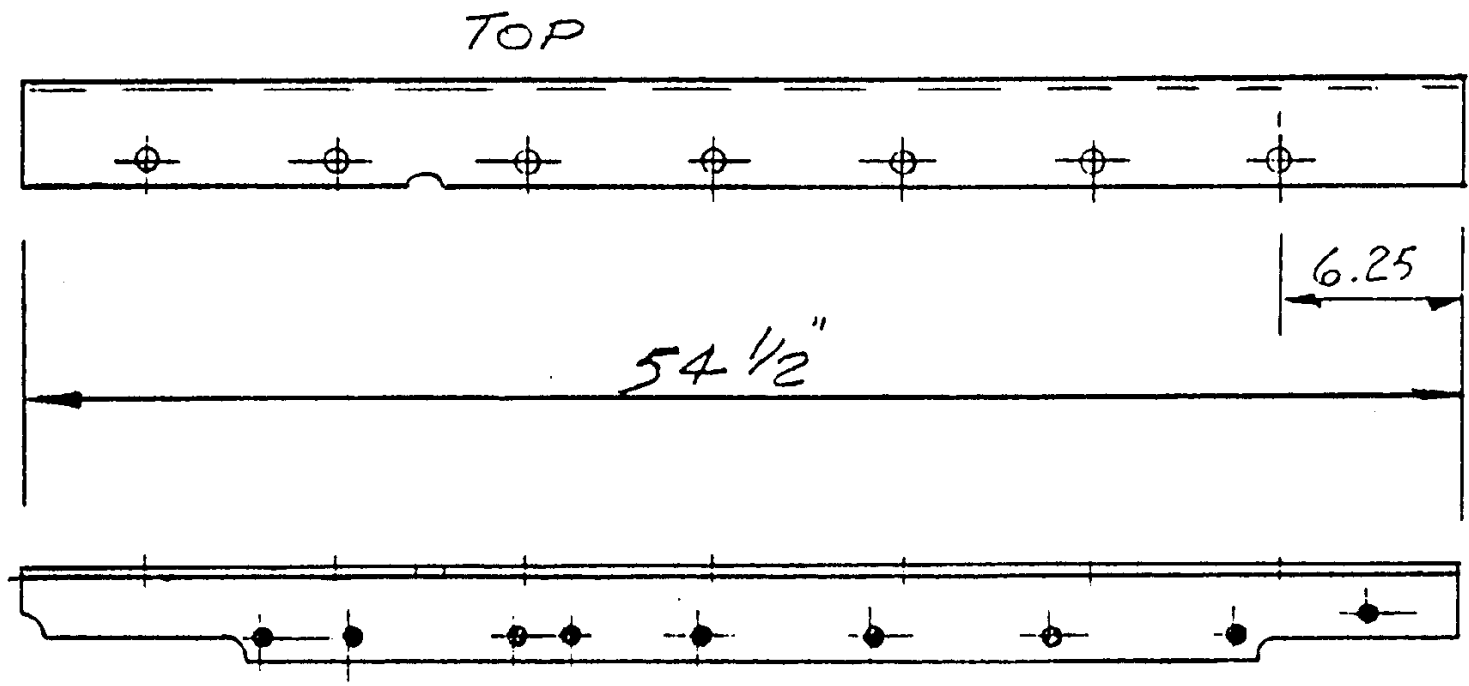
VOLVO SLIDE RAIL IDENTIFICATION



PART #	DIM A	DIM B	TOTAL HOLES
659806 659807	7"	2 5/8"	9
659813 659814	5 1/2"	2 5/8"	9
659882 659883	5 1/2"	2 5/8"	8
659927 659928	7"	2 5/8"	8
660040 660041	5 1/2"	2 29/32"	8

26

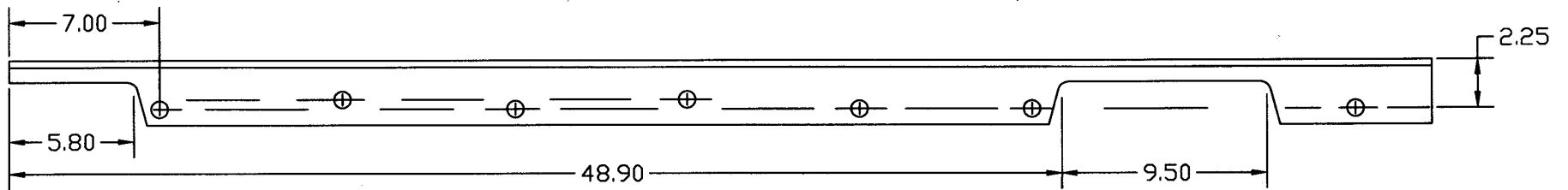
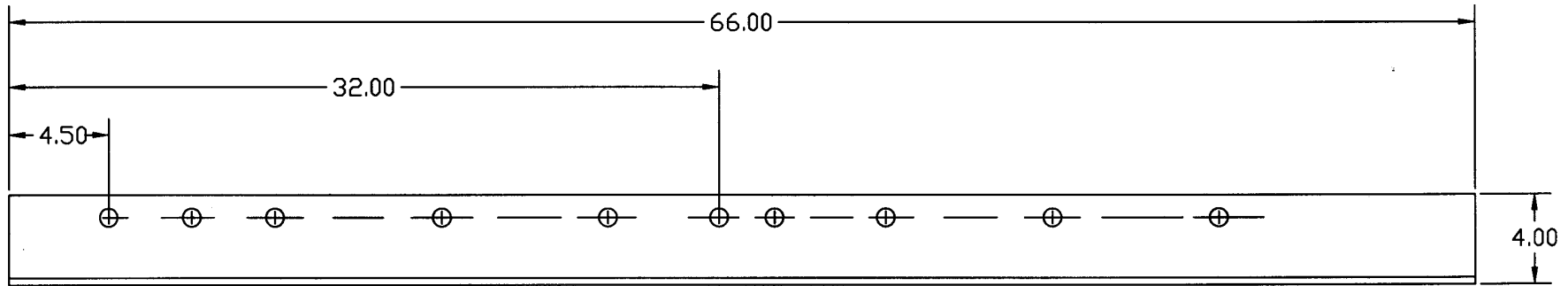
VOLVO SLIDE RAIL IDENTIFICATION			
KWIK LOC			
SIZE	FSCM NO	DWG NO	REV
SCALE	1 : 1	SHEET	1 OF 1



659661 LH SHOWN
 659662 RH OPPOSITE

27

SLIDE RAIL FREIGHTLINER			
KWIK LOC			
SIZE	FSCM NO	DWG NO 659661 - 62	REV
SCALE 1 : 1			SHEET 1 OF 1

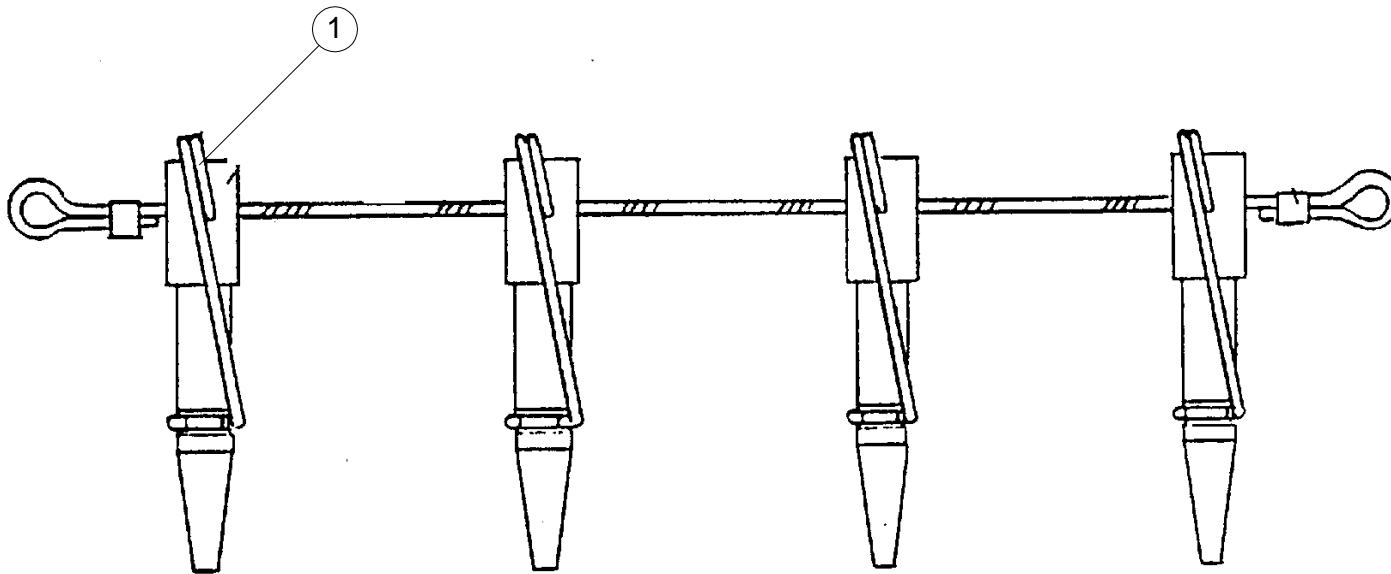


1984-1988 "R" MODEL MACK

627227 RH SHOWN
627217 LH OPPOSITE

28

MACK SLIDE RAIL		
KWIK LOC		
REVISED	DWG NO	REV
6/2/99	627217 - 27	
SCALE	1 : 1	SHEET 1 OF 1



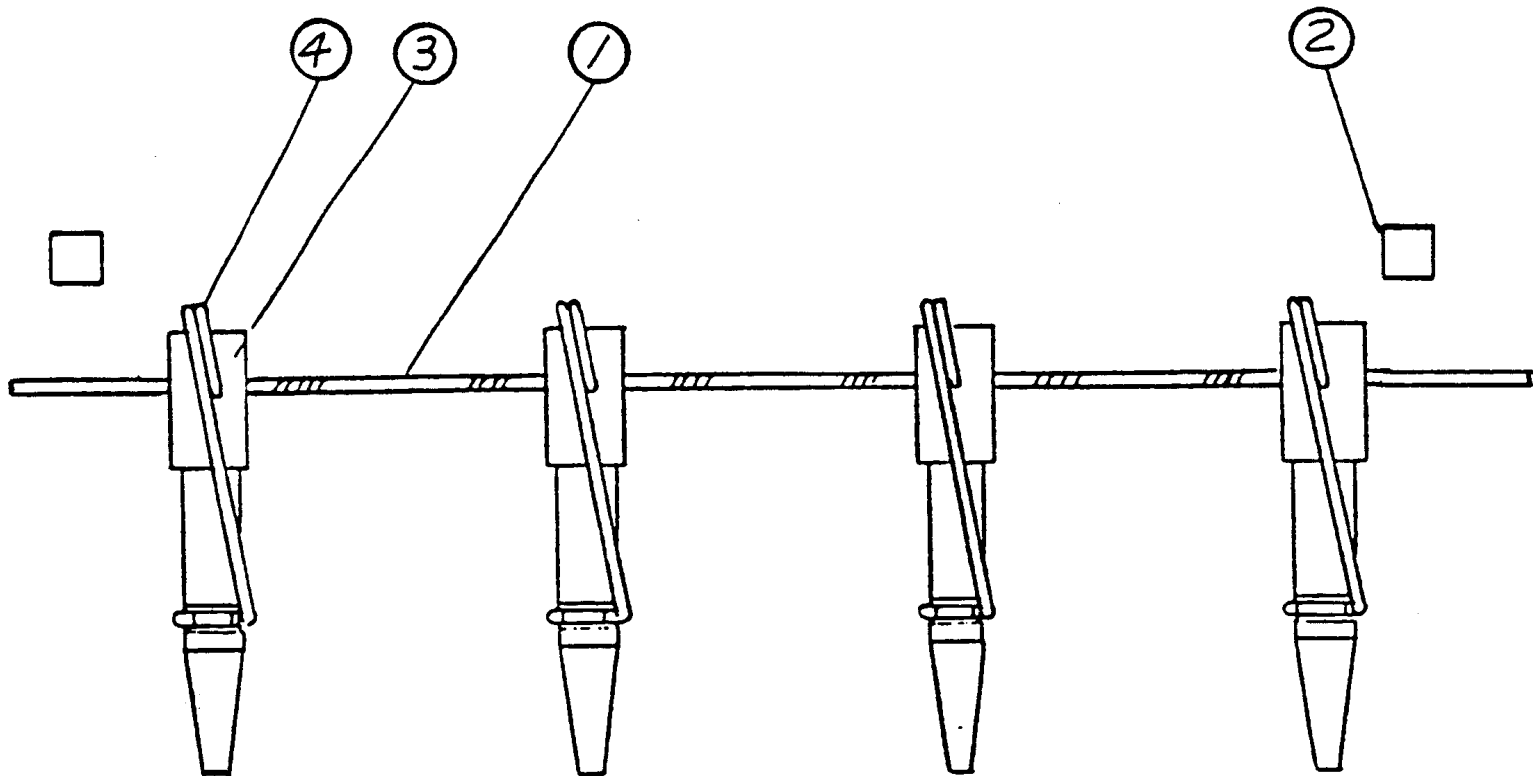
ITEM	QTY.	PART NO.	DESCRIPTION
1	4	319417	SPRING, STA-PIN

STA-PIN ASSM.

KWIK LOC

29

SIZE	FSCM NO	DWG NO	REV
		656857	
SCALE	1 : 1	SHEET	1 OF 1



ITEM	QTY.	PART NO.	DESCRIPTION
4	4	319417	SPRING, STA PIN
3	4		PIN
2	2		CRIMP SLEEVE
1	1		CABLE

STA PIN KIT

KWIK LOC

30

SIZE	FSCM NO	DWG NO	REV
		659937	
SCALE	1 : 1	SHEET	1 OF 1

NUTS AND BOLTS

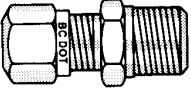
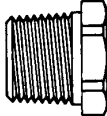
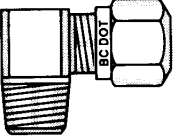
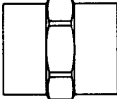
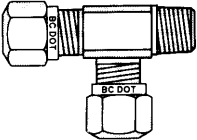
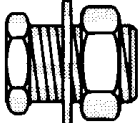
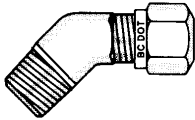
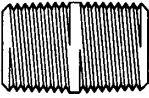
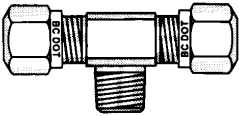
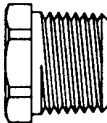
PLEASE SPECIFY GRADE (GR5 OR GR8)

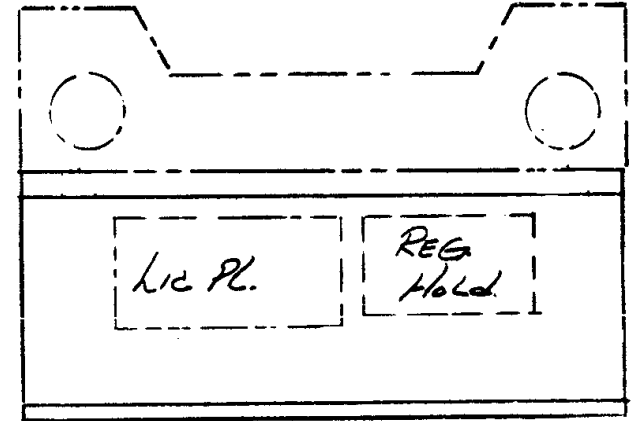
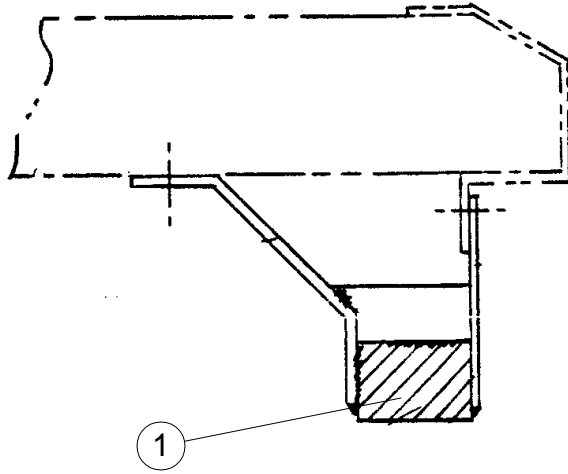
	¾" L	1" L	1 ¼" L	1 ½" L	1 ¾" L	2" L	2 ¼" L	2 ½" L	2 ¾" L	
¼-20	81420-12	81420-16	81420-20	81420-24	81420-28	81420-32	81420-36	81420-40		¼-20
5/16-18	851618-12	851618-16	851618-20	851618-24	851618-28	851618-32	851618-36	851618-40		5/16-18
3/8-16	83816-12	83816-16	83816-20	83816-24	83816-28	83816-32	83816-36	83816-40	83816-44	3/8-16
½-13		81213-16	81213-20	81213-24	81213-28	81213-32	81213-36	81213-40	81213-44	½-13
½-20										½-20
5/8-11			85816-20	85816-24	85816-28	85816-32	85816-36	85816-40	85816-44	5/8-11
¾-10				83410-24	83410-28	83410-32	83410-36	83410-40	83410-44	¾-10
¾-16										¾-16
7/8-9					8789-28					7/8-9
1-8								818-40		1-8

	3 ½" L	4 ½"	5"	HEX NUT	LOCK NUT	FLANGE LOCK NUT	SPLIT LOCK WASHER	SAE FLAT WASHER	
¼-20					81420-03			81400-02	¼-20
5/16-18		851618-72			851618-04			85160-02	5/16-18
3/8-16				83816-01	83816-04		83800-03	83800-02	3/8-16
½-13		81213-72		81213-01	81213-03		81200-03	81200-02	½-13
½-20							81200-03	81200-02	½-20
5/8-11					85811-03	85811-04		85800-02	5/8-11
¾-10						83410-04			¾-10
¾-16				83416-01					¾-16
7/8-9					87809-04				7/8-9
1-8	818-56		818-80	81008-01	81008-04			81000-02	1-8

31

FASTENERS			
KWIK LOC			
SIZE	FSCM NO	DWG NO	REV
SCALE	1 : 1	SHEET	1 OF 1

TUBE SIZE		3/8"	1/2"	5/8"	REDUCER	SIZE	PART #	
	N P T	1/4"	70014-686	70014-6884		3/8"-1/4"	70032-2064	
		3/8"	70014-6866	70014-6868		70014-68106	1/2"-1/4"	70032-2084
		1/2"	70014-688	70014-6888		70014-6810	1/2"-3/8"	70032-2086
	N P T	1/4"	70014-696	70014-6984		3/4"-1/2"	70032-20128	
		3/8"	70014-6966	70014-698		70014-69106	1/2"	70033-008
		1/2"	70014-6968	70014-6988		70014-6910	3/4"	70033-0012
	N P T	1/4"	70014-716			SMALL	510017	
		3/8"	70014-71666			LARGE	508517	
							1/2"	70033-268
	N P T	1/4"	70014-806	70014-8084		3/4"	70033-2612	
		3/8"	70014-8066	70014-808		1/8"	70031-522	
		1/2"		70014-8088		70014-8010	1/4"	70031-524
	N P T	1/4"	70014-726	70014-72884		3/8"	70031-526	
		3/8"	70014-72666	70014-718		1/2"	70031-528	
						AIR FITTINGS		
						KWIK LOC		
SIZE		FSCM NO		DWG NO		REV		
SCALE		1 : 1		SHEET		1 OF 1		



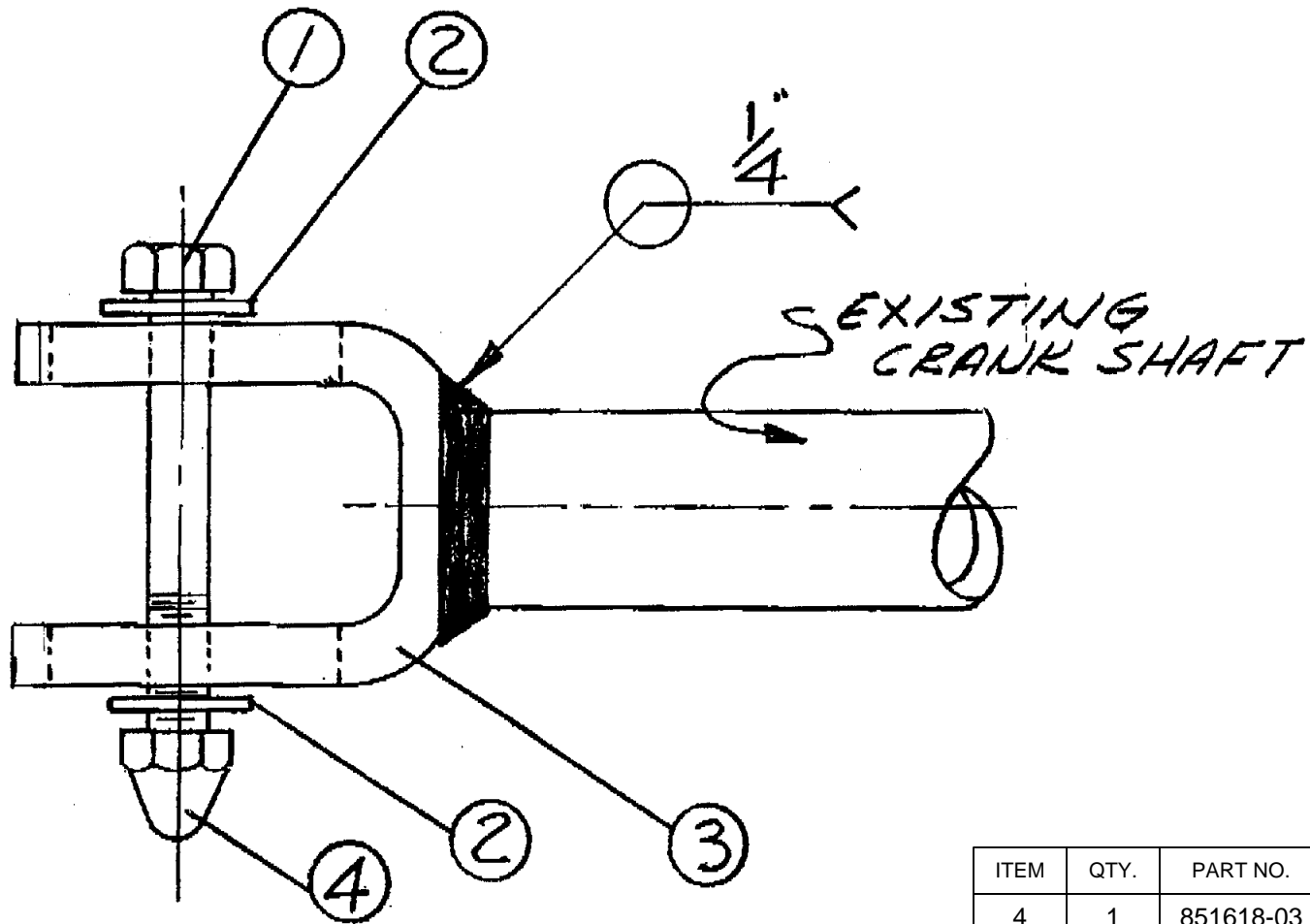
ITEM	QTY.	PART NO.	DESCRIPTION
1	1	659931	COUNTERWEIGHT ASSM.

COUNTER WEIGHT

KWIK LOC

SIZE	FSCM NO	DWG NO	REV
		659931	
SCALE	1 : 1	SHEET	1 OF 1

33



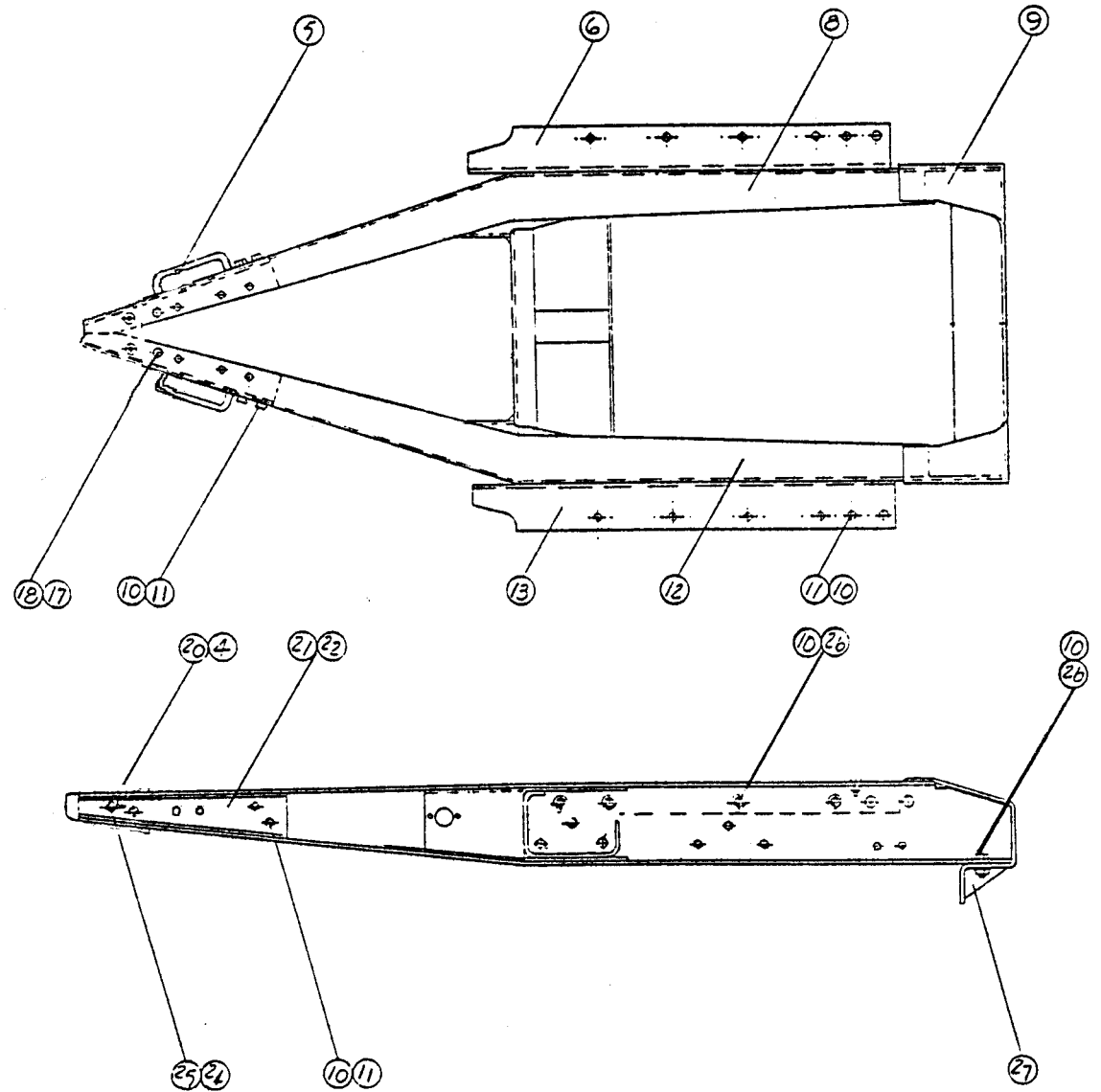
ITEM	QTY.	PART NO.	DESCRIPTION
4	1	851618-03	5/16" ACORN LOCK NUT
3	1	659884	YOKE, FLEX JOINT
2	2	85160-02	5/16" SAE FLAT WASHER
1	1	51618-40	5/16" X 2 1/2" BOLT

FLEX JOINT KIT

KWIK LOC

34

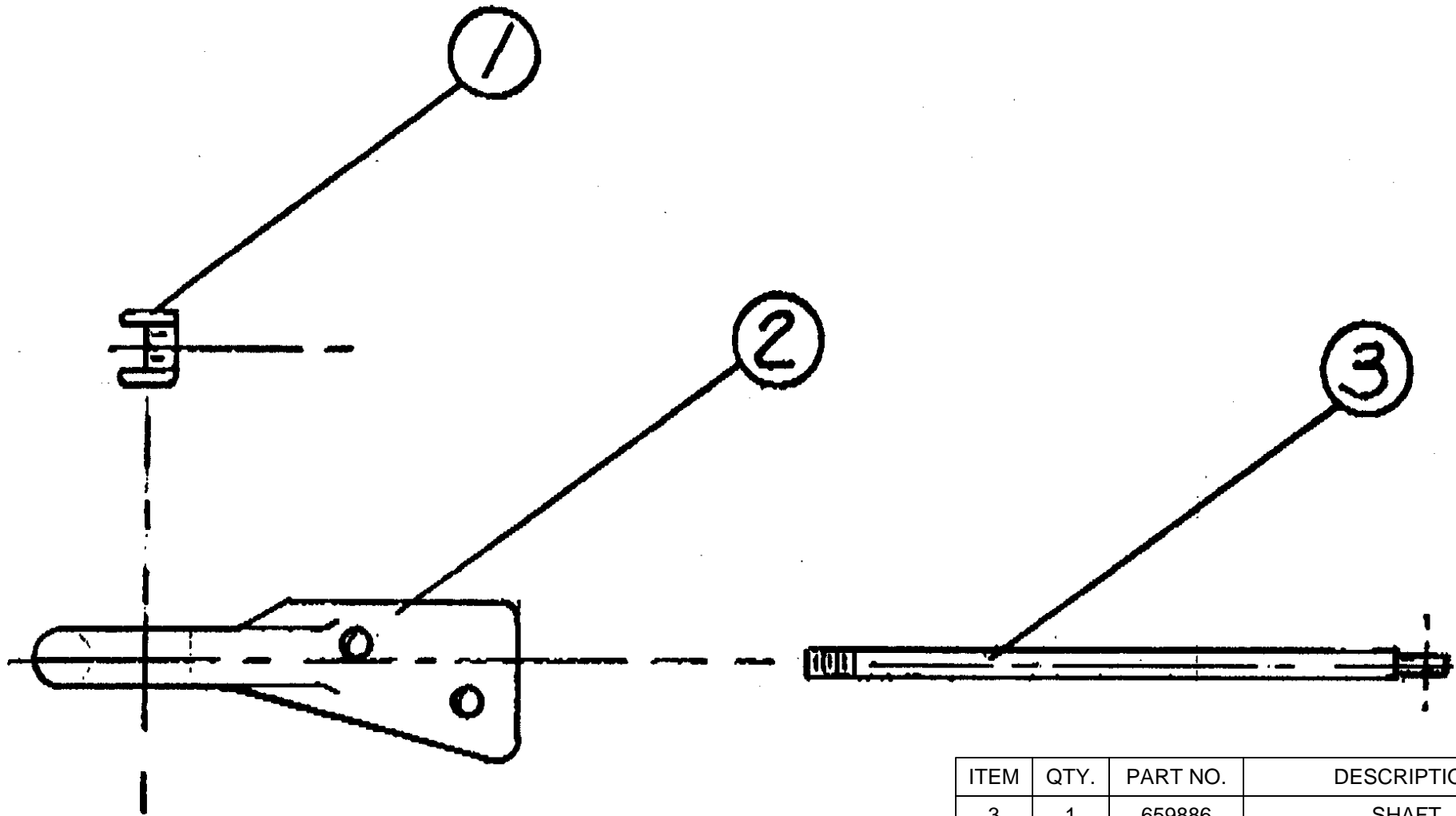
SIZE	FSCM NO	DWG NO	REV
		659900	
SCALE	1 : 1	SHEET	1 OF 1



ITEM	QTY.	PART NO.	DESCRIPTION
27	2	471297	GUSSET
26	28	85811-05	5/8-11 FLANGE LOCK NUT GR.8
22	1	313117	SLEEVE, RH
21	1	310717	SLEEVE, LH
20	2	85811-28	5/8-11 X 13/4" BOLT GR.8
19	1	525027	74" ADJ. EYE
18	2	81213-04	1/2-13 STOVER LOCKNUT GR.5
17	2	81213-20	1/2-13 X 11/4 BOLT GR.8
13	1	501717	SLIDE RAIL, LH
11			SEE #26
10	16	85811-24	5/8-11 X 1 1/2" BOLT GR.8
9	1	654917	REAR CROSSMEMBER 7000
6	1	501617	SLIDE RAIL, RH
5	2	650017	HANDLE, LIFT

35

FRAME ASSM. BARE, LESS CASTINGS			
KWIK LOC			
SIZE	FSCM NO	DWG NO	REV
		658321	
SCALE	1 : 1	SHEET	1 OF 1



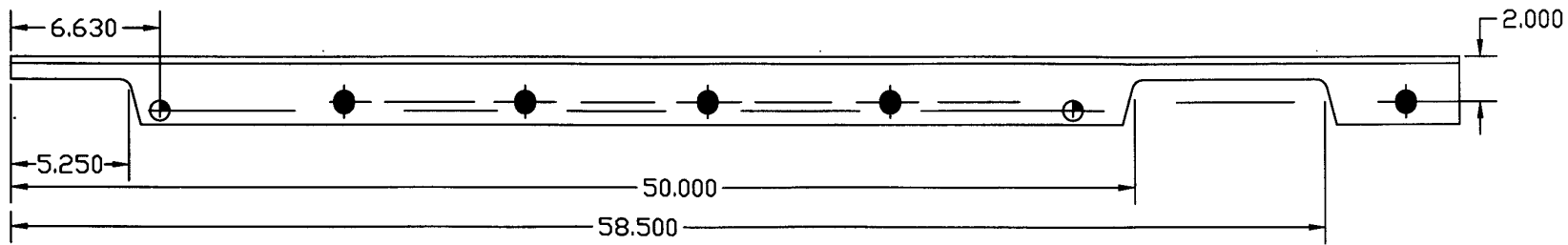
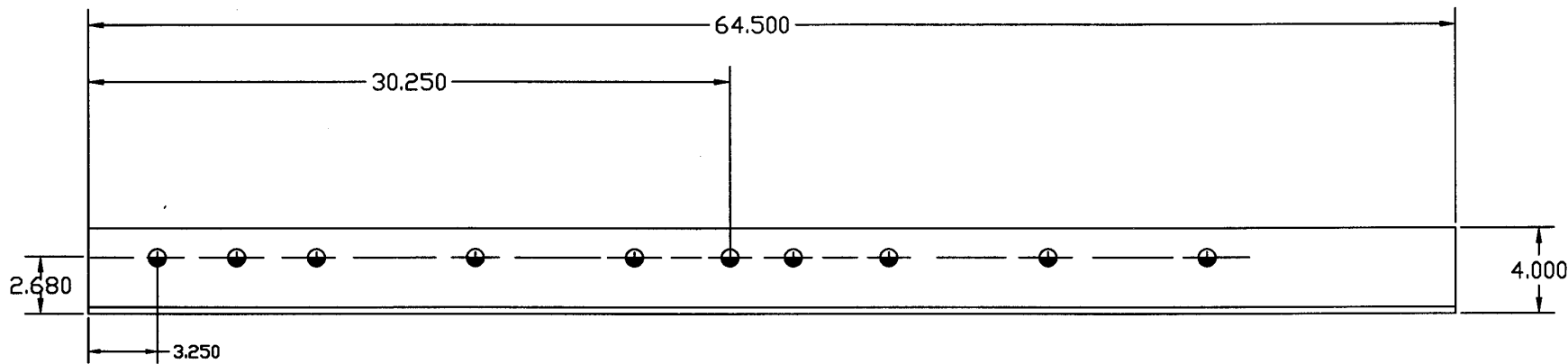
ITEM	QTY.	PART NO.	DESCRIPTION
3	1	659886	SHAFT
2	1	525027	EYE
1	1	602517	SHOE

EYE KIT

KWIK LOC

36

SIZE	FSCM NO	DWG NO	REV
		659885	
SCALE	1 : 1	SHEET	1 OF 1



1989 - UP "CH" MACK

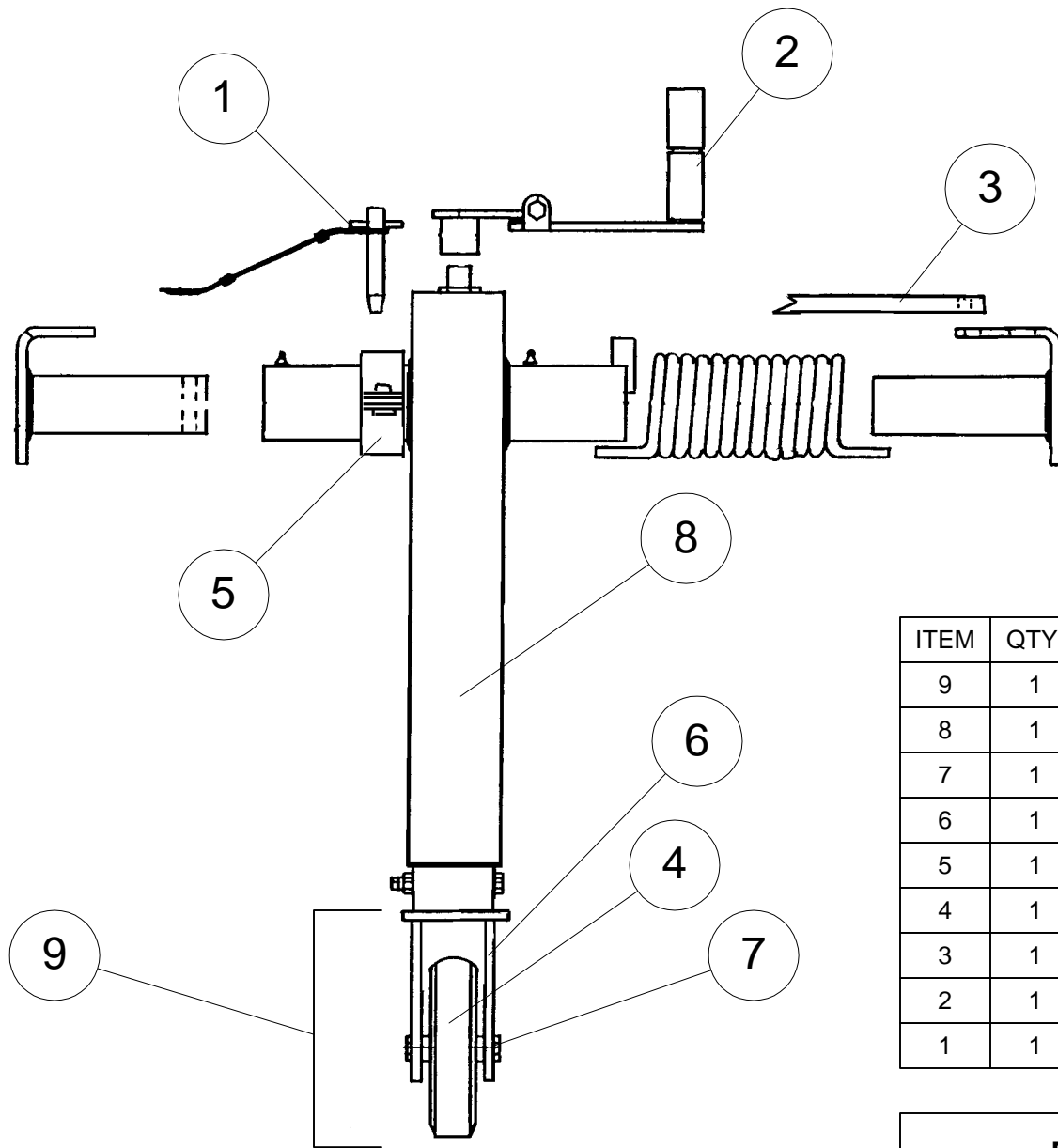
659764 RH (SHOWN)
659763 LH OPPOSITE

37

MACK SLIDE RAIL

KWIK LOC

REVISED 06/02/1999	DWG NO 659763-64	REV
SCALE 1 : 1	SHEET 1 OF 1	



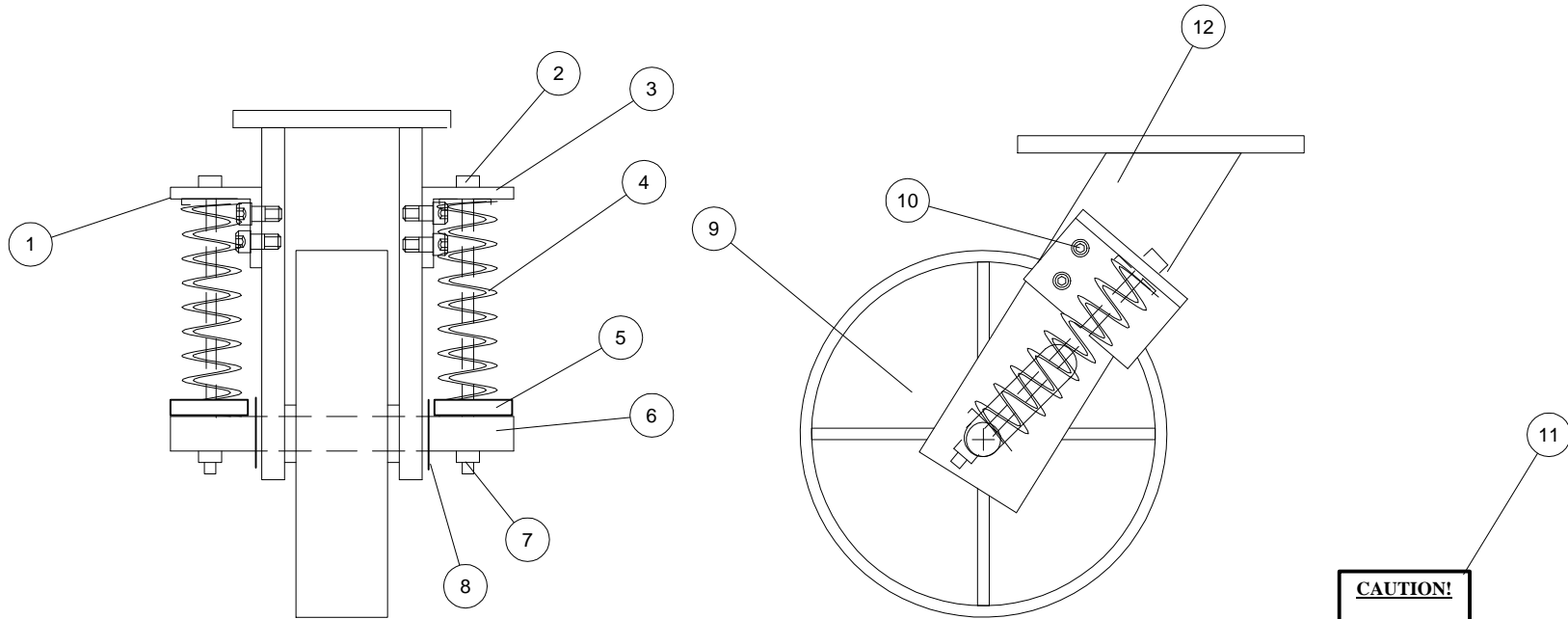
ITEM	QTY.	PART NO.	DESCRIPTION
9	1	659559	6" WHEEL ASM.
8	1	658409	LEG ASSM. COMPLETE
7	1	659531	AXLE & NUT
6	1	659552	YOKE, 6", STRAIGHT
5	1	659542	TRUNION, REPAIR
4	1	658371	6" WHEEL ONLY, POLY/STEEL
3	1	658418	CROSS BAR
2	1	658392	CRANK HANDLE
1	1	658187	RETAINER PIN

FOLD UP CRANK LEG

KWIK LOC

38

SIZE	FSCM NO	DWG NO	REV
		658409	
SCALE	1 : 1	SHEET	1 OF 1



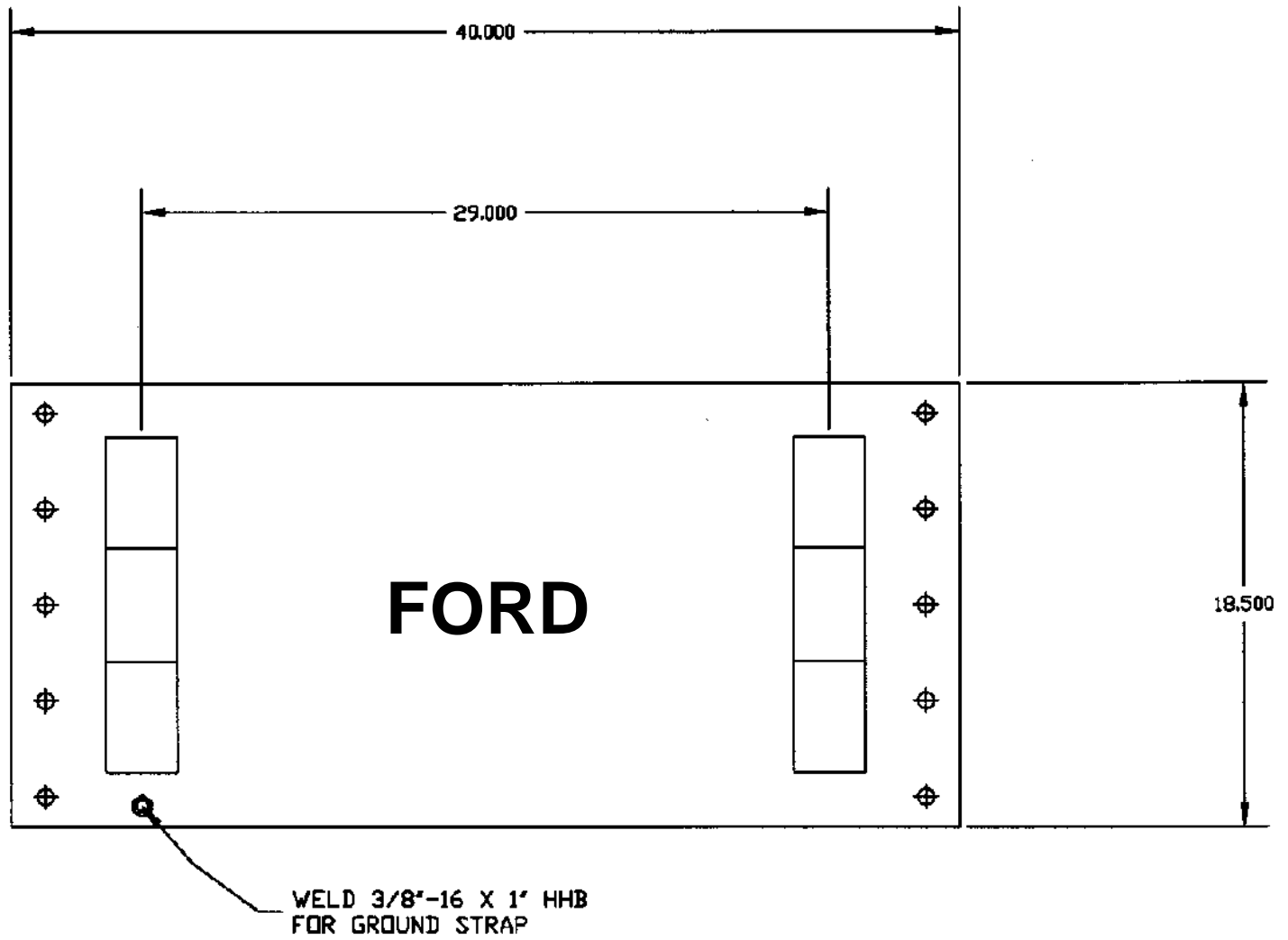
ITEM	QTY.	PART NO.	DESCRIPTION
	1	660017	WHEEL ASSM. COMPLETE
12	1	660018	BRACKET ONLY
11	1	660035	WARNING DECAL
10	4	660037	3/8-16 X 7/8 SHCS
9	1	660028	8" WHEEL H.D.
8	2	660026	THRUST WASHER
7	2	83816-04	3/8-16 LOCK NUT
6	1	660027	AXLE
5	1	660038	LOWER SPRING SEAT
4	2	660030	SPRING
3	1	660031	UPPER SPRING SEAT, LH
2	2	660036	3/8-16 X 7 1/2 BOLT GR5
1	1	660032	UPPER SPRING SEAT, RH

WARNING
DECAL TO BE
APPLIED TO
LEG ASSEMBLY

CAUTION!
SPRINGS UNDER
HIGH PRESSURE
READ AND
UNDERSTAND
TECH BULLETIN
TB98-1027-13
BEFORE
DISASSEMBLY
CAUTION!

SPRING LOADED WHEEL			
KWIK LOC			
SIZE	FSCM NO	DWG NO	REV
		660033	
SCALE	1 : 2.8	SHEET	1 OF 1

39

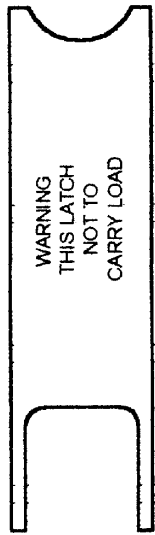


FORD CITY TRACTOR 5TH WHEEL MOUNT W/FEET

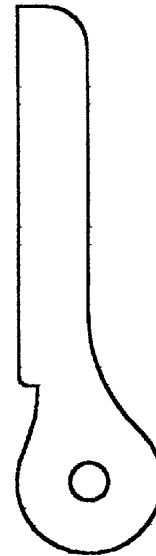
KWIK LOC

40

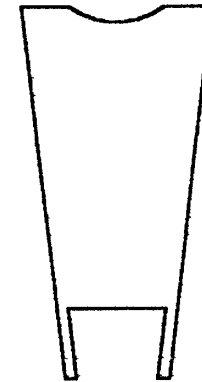
SIZE	FSCM NO	DWG NO	REV
		660173	
SCALE	1 : 1	SHEET	1 OF 1



615858
USED ON ALL 1/2" CHAIN
HOOKS PRIOR TO JUNE 1999

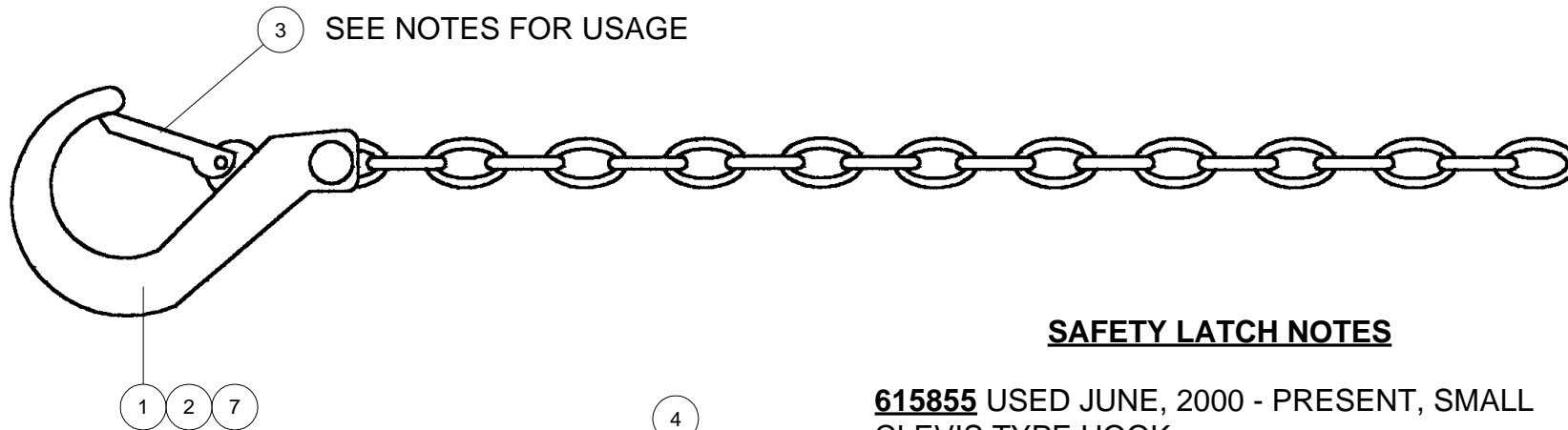


660522
USED ON ALL 1/2" CHAIN HOOKS
JUNE 1999 THRU JUNE 2000
WE RECOMEND THAT YOU REPLACE
THIS HOOK WITH P/N 615856
CLEVIS-TYPE HOOK

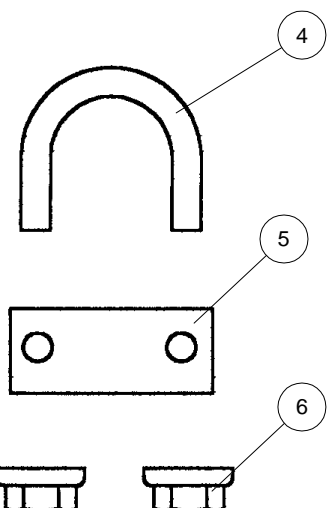


615855
USED ON ALL 1/2" CHAIN
HOOKS JUNE 2000 -
PRESENT. SMALL CLEVIS
TYPE HOOK

SAFETY LATCH COMPARISON			
KWIK LOC			
SIZE	FSCM NO	DWG NO	REV
SCALE	1 : 1	SHEET	1 OF 1



SEE NOTES FOR USAGE



SAFETY LATCH NOTES

615855 USED JUNE, 2000 - PRESENT, SMALL CLEVIS TYPE HOOK

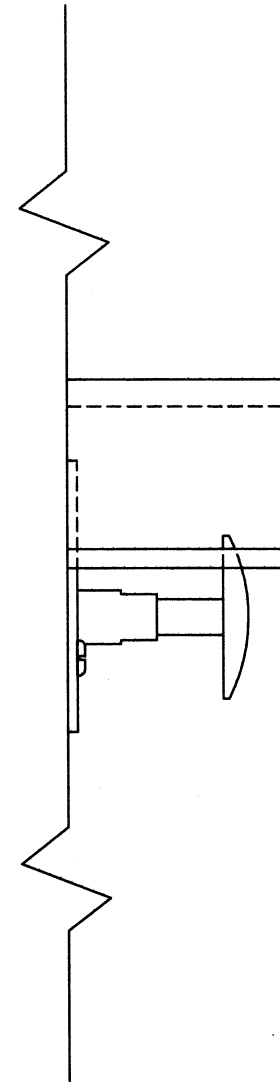
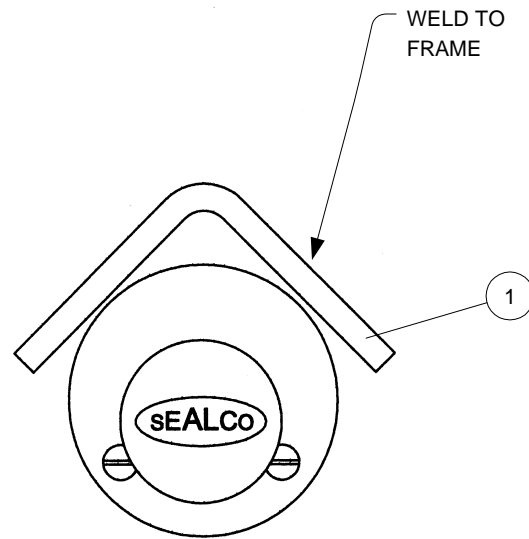
660522 USED JUNE, 1999 - JUNE, 2000, LARGE O/S HOOK, WE RECOMMEND REPLACING THE ENTIRE HOOK WITH P/N 615856 CLEVIS-TYPE HOOK

615858 USED PRIOR TO JUNE, 1999

1	2	660625	CHAIN & HOOK ASSM. LARGE
1	2	615857	CHAIN & HOOK ASSM. SMALL
2	-	615856	HOOK ONLY, CLEVIS TYPE
3	-	615855	SAFETY LATCH (SMALL)
3	-	660522	SAFETY LATCH (LARGE) SEE 615856
3	-	615858	STD. SAFETY LATCH (MED)
4	2	537317	U-BOLT
5	2	616217	BACK UP PLATE, U-BOLT
6	4	85811-04	5/8" FLANGE LOCKNUT
7	-	660624	CHAIN KIT, LARGE, INCLUDES ITEMS 1,4,5,6
7	-	615859	CHAIN KIT, SMALL, INCLUDES ITEMS 1,4,5,6

42

SAFETY CHAINS			
KWIK LOC			
SIZE	FSCM NO	DWG NO	REV
SCALE	1/32 : 1	SHEET	1 OF 1



ITEM	QTY.	PART NO.	DESCRIPTION
1	1	660554	GUARD, BRAKE RELEASE VALVE

43

BRAKE RELEASE VALVE GUARD			
KWIK LOC			
SIZE	FSCM NO	DWG NO	REV
		660554	
SCALE	1/32 : 1	SHEET	1 OF 1